



Spare Parts Catalog

ZFW 3355

Material number: 3101.052.029

Current date: 08.02.2022

ZF Friedrichshafen AG
Hauptverwaltung
80038 Friedrichshafen
Deutschland

Telefon: +49 7541 77-0

Telefax: +49 7541 77-908000

www.zf.com

zuständiges Werk:

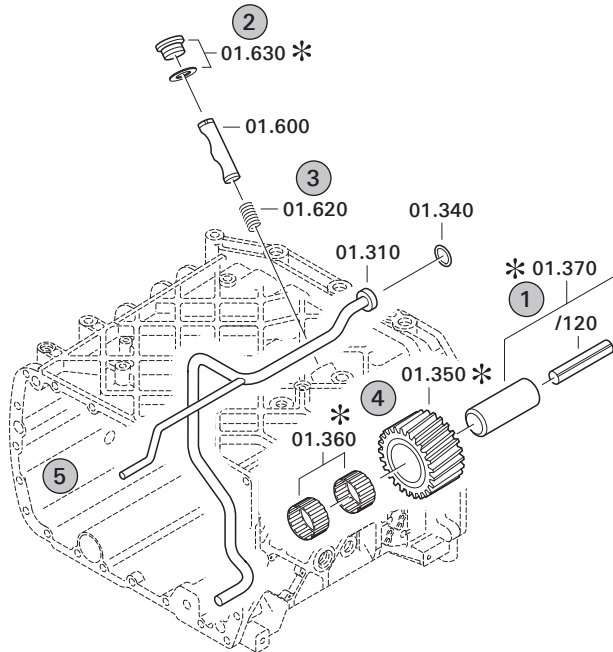
Marine Propulsion System Friedrichshafen

Notes relating to the spare parts catalog

Setup of the spare parts catalog

- Cover sheet
- Technical Cover (only in SDM print)
- Overview of figures
- Figure
- Associated parts list
- Next figure
- Associated parts list
- ...

Figure and parts list



Overview of figures

Bildtafel Figure	Sachnummer Product number	Benennung (Description)	Technische Info Technical info	Description (Benennung)	Menge Quantity	Einheit Unit
068.08.17	1316.170.001	AUSLEGER	WL	SHIFT TURRET	1	Stk
068.08.06	1316.170.031	DECKEL	WL*H-H *VM	COVER	1	Stk
068.08.14	1316.170.808	DECKEL	WL*AUSL+GEH*H-H*HF160N	COVER	1	Stk
08	1316.170.441	ANSCHLUSSTEILE	WL*NG-VORB*RG-SCHL*168N *BAJONETT	CONNECTING PARTS	1	Stk

The "gap" indicates that there is no separate graphics panel (poster) for this assembly
The parts of this assembly are shown with the same mid-section number on the figure

1 Positions and subpositions

Pos.	Sachnummer Product number	Benennung (Description)	Technische Info Technical info	Description (Benennung)	Menge Quantity	Einheit Unit
0370	1315.201.054	RUECKLAUFBOLZEN	KPL.16S151*SG*L= 79	REV.IDLER SHAFT	1	Stk
/0120	0631.329.293	SPANNSTIFT		SLOT. PIN	1	Stk

Positions marked with "/" are the individual items of a completion
For example: Position 0370 contains a centering pin with the position /0120

2 Combinations with standardized parts

Pos.	Sachnummer Product number	Benennung (Description)	Technische Info Technical info	Description (Benennung)	Menge Quantity	Einheit Unit
0630		VERSCHL.SCHR.		SCREW PLUG	1	Stk
	0636.302.067	VERSCHL.SCHR.		SCREW PLUG	1	Stk
	0634.801.249	DICHTRING	A 26 X 31	SEALING RING	1	Stk

The parts list shows the components included in the combination of standardized parts

3 Depiction of position/item number on the figure and in the parts list

01.620 - on the figure 01 relates to the assembly in which the position is included. Due to program-related reasons, it is shown on the figure.

0620 - in the parts list

Pos.	Sachnummer Product number	Benennung (Description)	Technische Info Technical info	Description (Benennung)	Menge Quantity	Einheit Unit
0620	0732.040.736	DRUCKFEDER		COMPRESSION SPRING	1	Stk

4 *-Positions

Positions marked with an * are optional i.e. inclusion in the parts list is not mandatory.
The following note is shown on the figure

je nach Stücklistenausführung
depending on spec. number
*
suivant la nomenclature
secondo la distinta base

5 Parts, dotted display

Parts with dotted display on the figure are only used for orientation of other parts

Technical Cover

Page 1 from 2

Material number: 3101.052.029



ZFW 3355 /

Pos.	Information	Amendment number
001	Use case -----	
002	Customer ZF Services Tuerk Sanayi ve Ticaret A.S.	
003	City Sultanbeyli-Istanbul	
004	DUNS 49-943-8489	
005	Product description -----	
006	NECESSARY ACCEPTANCE BY ABS VOLLTEST	
007	DIRECTION OF ROTATION ENGINE LEFT HAND	
008	SIGHT ON ENGINE KRAFTABGABESEITE	
009	ACTUATION VOLTAGE 24 V	
010	DESIGN, ACTUATION ELECTRICAL	
011	COLOR SIGNALWEISS	
012	CODING OUTER CONSERVATION KA2	
013	CODING INNER CONSERVATION KI3	
014	CONSERVATION SPECIFICATION ZFN 916	
015	SCOPE OUTER CONSERVATION T	
016	OIL GRADE PERMISSIBLE ACC. TO TE-ML04	
017	DESIGN PUMP B	
018	CLEANNES SCALE NUMBER 1 18	
019	CLEANNES SCALE NUMBER 2 15	
020	CLEANNES SPECIFICATION ZFN5015	
022	SSS DESIGN 1 MONITORING SET 11	
023	CLUTCH PRESSURE 19 bar	
024	SSS DESIGN 2 MONITORING	
025	OIL CAPACITY, GEARBOX 38 dm3	
026	COLOUR CLASSIFICATION ACC. TO RAL 9003	
028	POWER TORQUE FACTOR C MAX. .529 kW	
029	TOTAL RATIO 4.478	
032	SSD DESIGN TRAILING PUMP WITH	
033	SSS DESIGN CONNec.BELL HOUSING SAE 0	
035	SSS DESIGN OIL FILTER CHANGEOVER FILTER	
036	SSD DESIGN COUPLING 18,000	
038	SSS DESIGN ACTUATION CRAWLING ELECTRICAL	
039	SSS VOLTAGE ACTUATION CRAWLING 24 V	

Technical Cover

Page 2 from 2

Material number: 3101.052.029



ZFW 3355 /

Pos.	Information	Amendment number
050	SSR DIM.PTO-INP.SHAFT PERM.EN C	
051	SSR RULE PTO-INP.SHAFT PERM.EN SAE 744	
059	RATIO TRAILING PUMP .186	
060	SSD DESIGN REMOTE OIL LEVEL INDICATOR	
064	Documents -----	
065	TEST RECORD Text-document 3101.700.122	
066	TEST RECORD Text-document 0000.703.866	
067	TABLE Drawing 0000.700.288	
068	MARINE GEAR Drawing 3101.651.013	
069	MONITORING Drawing 3101.680.189	
070	MONITORING LAYOUT Drawing 3101.700.101	
071	ACTUATION Drawing 3101.680.087	
072	ACTUATION Drawing 3101.680.008	
073	ENGINE CONNECTION Drawing 3101.680.086	
074	TRAILING PUMP Drawing 3101.680.010	
075	NOTE Drawing 0000.702.269	
076	OIL FILTER Drawing 3101.680.183	
077	DATA SHEET Text-document 3101.700.026	
078	MARINE GEAR Drawing 3101.000.029	
079	TRANSMISSION HOUSING Drawing 3101.000.138	
080	MARINE GEAR Drawing 3101.000.102	
081	MARINE GEAR Drawing 3101.000.103	
082	MARINE GEAR Drawing 3101.000.104	
083	CONTROL UNIT Drawing 3100.000.123	
084	TROLLING DEVICE Drawing 3100.000.005	
085	TRAILING PUMP Drawing 3101.000.135	

Assembly group overview

Page 1 from 2



ZFW 3355 /

Material number: 3101.052.029

Graphics	Pos.	Material number	Name	Quantity	Amend. no.	Techn. Info.
154.01.40-1	14	3101.101.400	PLATE	1		
154.01.05-1	110	3101.101.023	TRANSMISSION HOUSING	1		
154.01.92-1	130	3101.101.832	TRANSMISSION HOUSING	1		
154.01.82-1	136	3101.101.854	TRANSMISSION HOUSING	1		
211.15.03-1	24	3109.215.004	SLEEVE	1		
154.02.34-1	150	3101.102.053	INPUT SHAFT	1		
154.02.90-1	154	3101.102.813	INPUT SHAFT	1		
154.02.05-1	160	3101.102.802	INPUT SHAFT	1		
154.02.09-1	170	3101.102.443	INPUT SHAFT	1		
154.02.80-1	190	3101.102.810	INPUT SHAFT	1		
154.03.16-1	250	3101.103.027	INTERMEDIATE SHAFT	1		
154.03.18-1	254	3101.103.809	INTERMEDIATE SHAFT	1		
154.03.02-1	260	3101.103.458	INTERMEDIATE SHAFT	1		
154.03.06-1	270	3101.103.802	INTERMEDIATE SHAFT	1		
154.04.16-1	300	3101.104.015	OUTPUT SHAFT	1		
154.04.06-1	304	3101.104.802	OUTPUT SHAFT	1		
154.04.03-1	310	3101.104.427	OUTPUT SHAFT	1		
154.06.01-1	350	3101.106.002	PUMP	1		
154.06.40-1	360	3101.106.401	PUMP	1		
154.06.80-1	370	3101.106.801	PUMP	1		
154.07.08-1	420	3101.107.032	PIPING	1		
154.07.82-1	430	3101.107.805	TUBE	1		
134.008.006-1	110	3100.108.029	CONTROL UNIT	1		
134.008.020-1	120	3100.108.807	CONTROL UNIT	1		
134.09.01-1	140	3100.109.005	ACTUATION	1		
154.09.09-1	142	0732.300.030	COMPRESSION SPRING	1		
154.09.09-1	144	0732.300.030	COMPRESSION SPRING	1		
211.10.36-1	35	6029.207.238	PLUG HOUSING	1		
154.10.47-1	500	3101.110.088	MONITORING	1		
154.11.01-1	510	3101.111.002	MONITORING	1		

Assembly group overview

Page 2 from 2

Material number: 3101.052.029



ZFW 3355 /

Graphics	Pos.	Material number	Name	Quantity	Amend. no.	Techn. Info.
154.16.01-1	570	3101.116.013	ENGINE CONNECTION	1		
154.16.03-1	580	3101.116.024	ENGINE CONNECTION	1		
134.17.80-1	36	3100.117.801	TROLLING DEVICE	1		
134.17.01-1	150	3100.117.002	TROLLING DEVICE	1		
154.17.81-1	152	0631.315.522	CYLINDRICAL PIN	1		
154.18.10-1	600	3101.118.010	SUSPENSION	1		
154.25.04-1	620	3101.125.053	OIL COOLER	1		
154.25.83-1	630	3101.125.811	OIL COOLER	1		
154.30.04-1	400	3101.130.006	FILTER	1		
154.35.08-1	640	3101.135.006	TRAILING PUMP	1		

Plant

Page 1 from 6

Material number: 3101.052.029

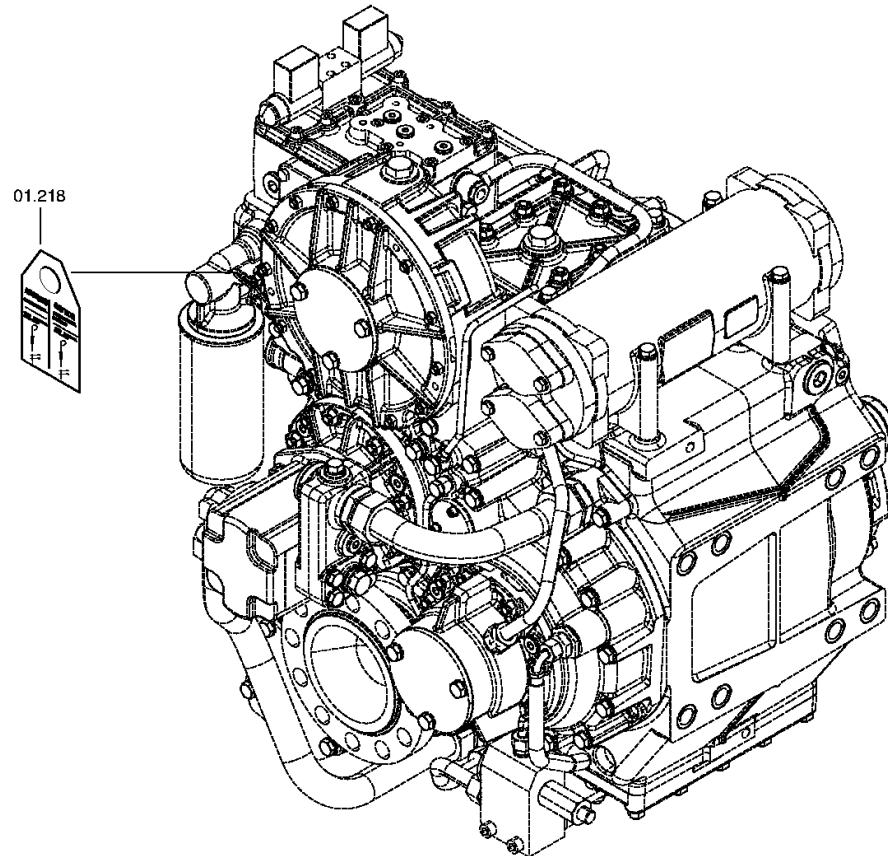
Plant: 154.01.40-1

PLATE



ZFW 3355 /
PLATE

Bildtafel:
Figure: 154.01.40
Figure:
Figura:



Plant

Page 2 from 6

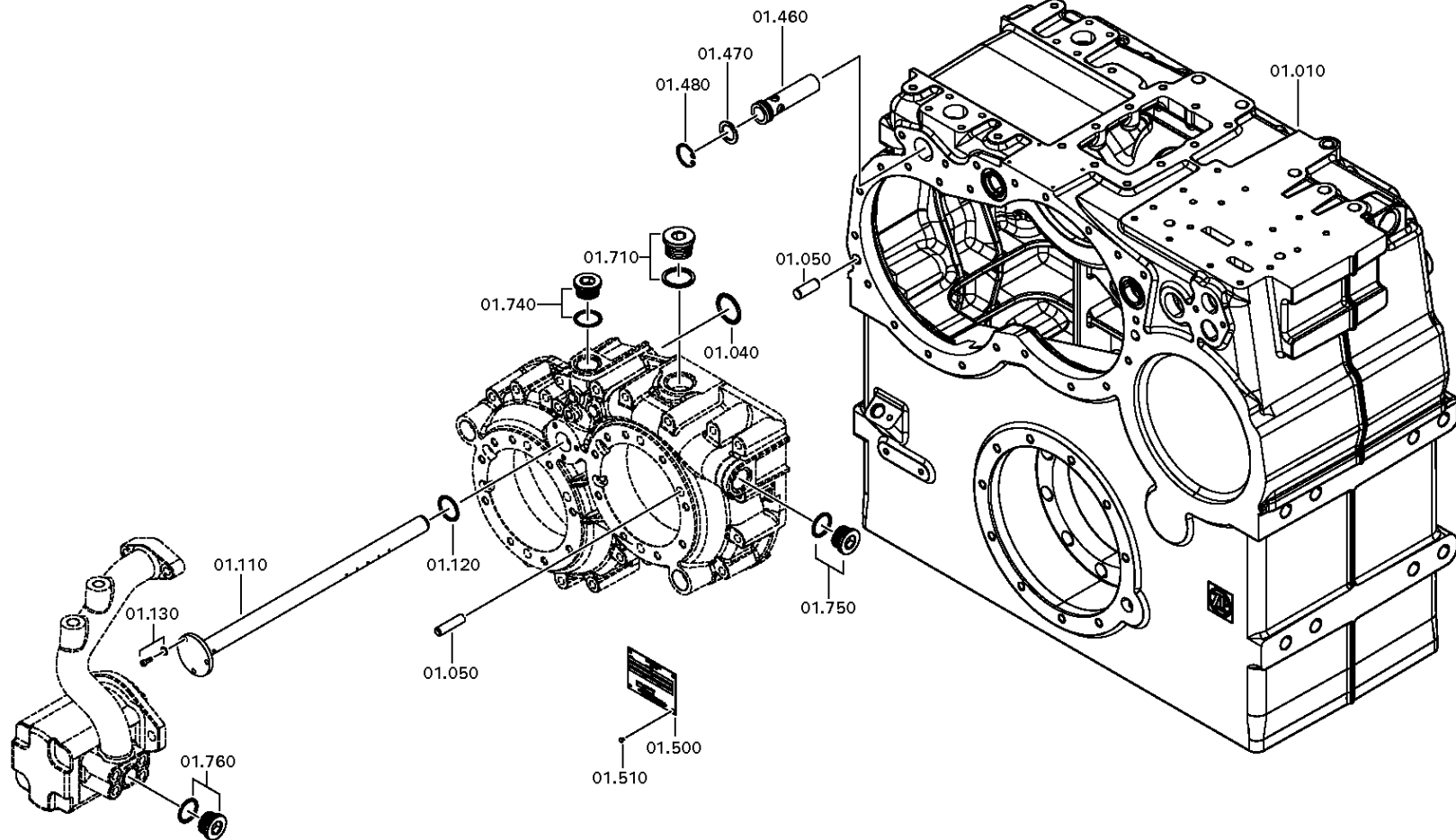
Material number: 3101.052.029

Plant: 154.01.05-1

PLATE



ZFW 3355 /
PLATE



Plant

Page 3 from 6

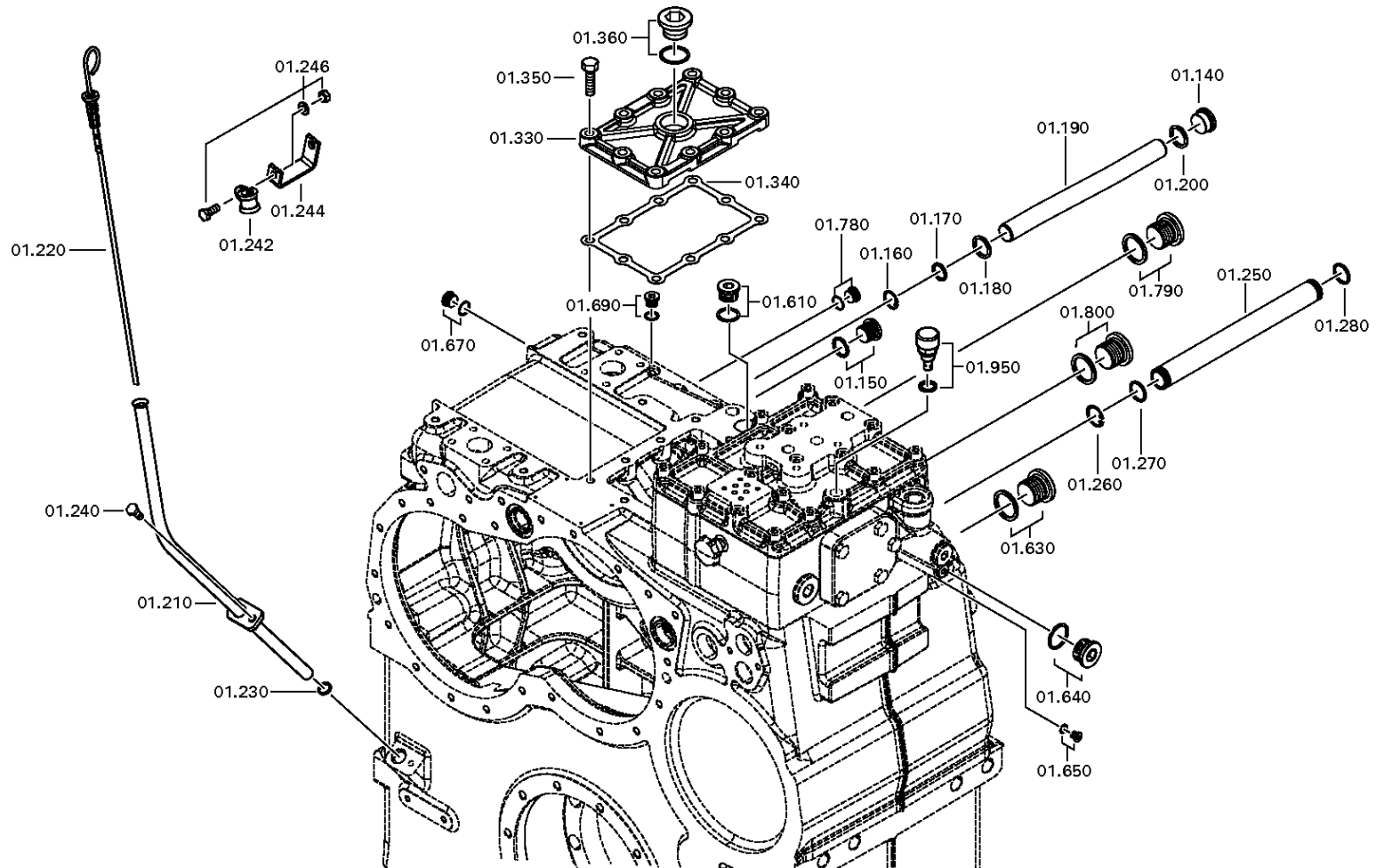
Material number: 3101.052.029

Plant: 154.01.05-2

PLATE



ZFW 3355 /
PLATE



Plant

Page 4 from 6

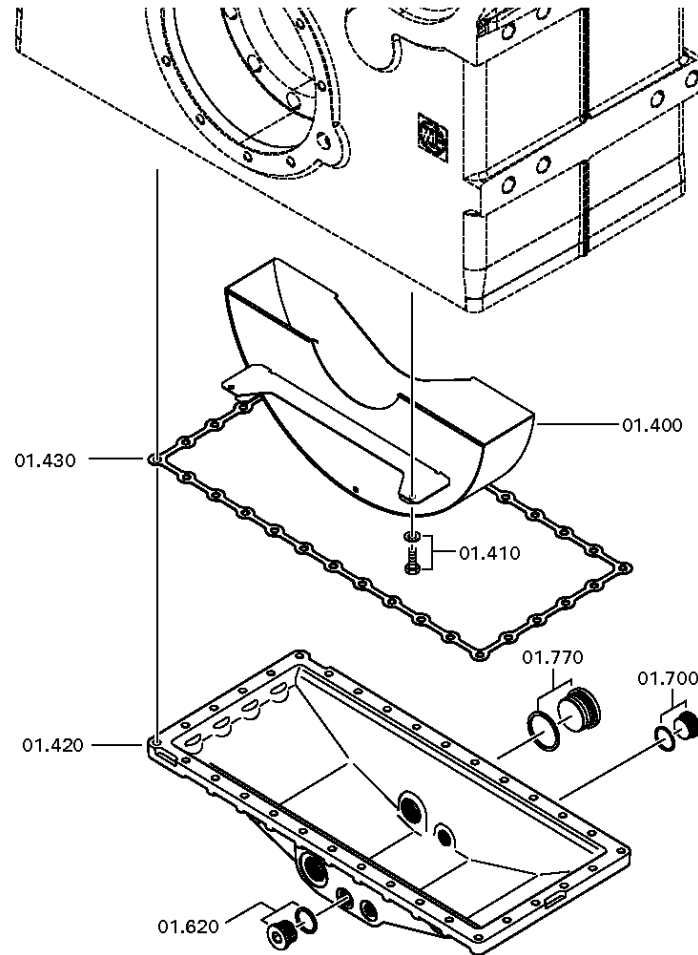
Material number: 3101.052.029

Plant: 154.01.05-3

PLATE



ZFW 3355 /
PLATE



Plant

Page 5 from 6

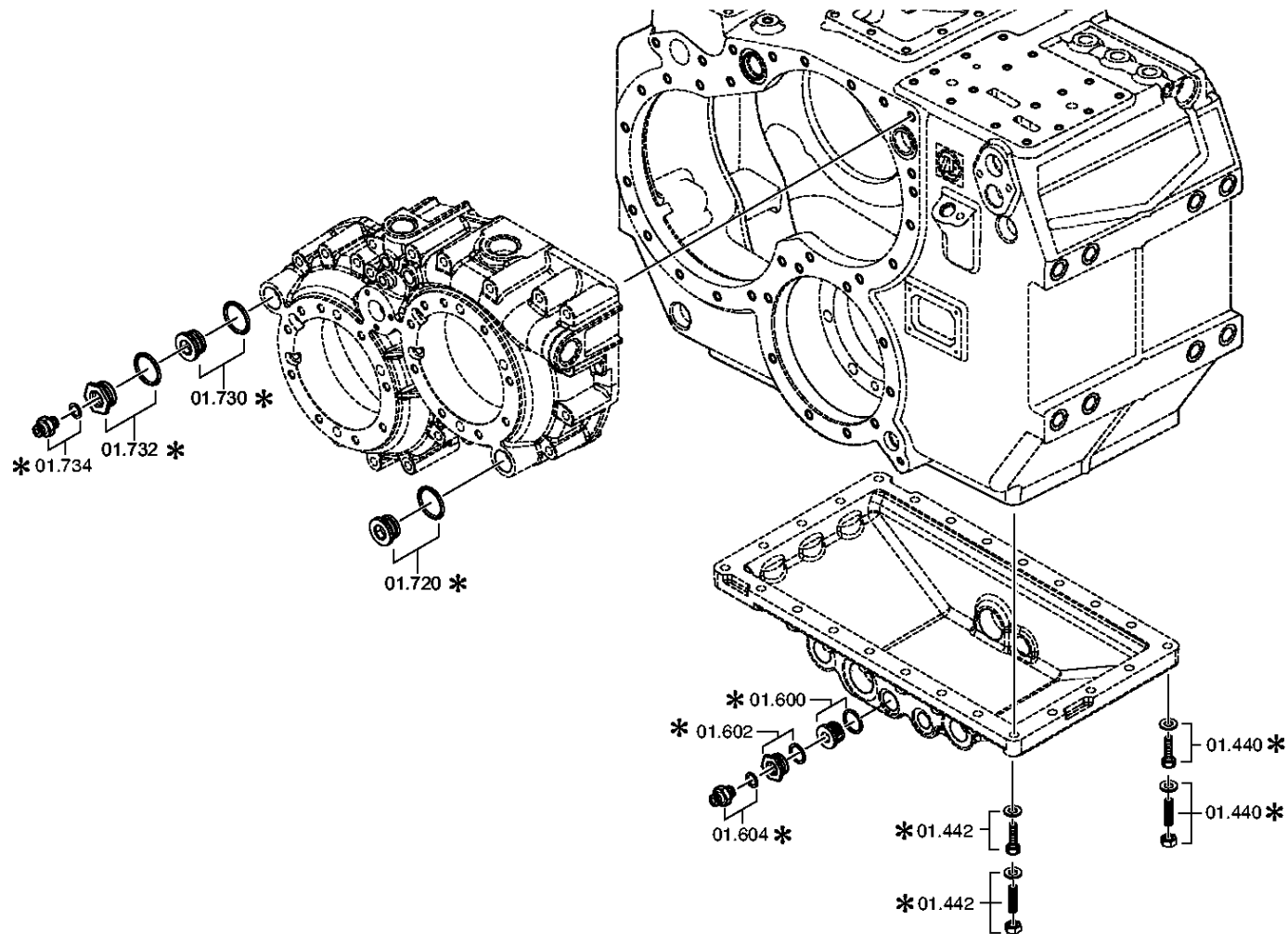
Material number: 3101.052.029

Plant: 154.01.82-1

PLATE



ZFW 3355 /
PLATE



Plant

Page 6 from 6

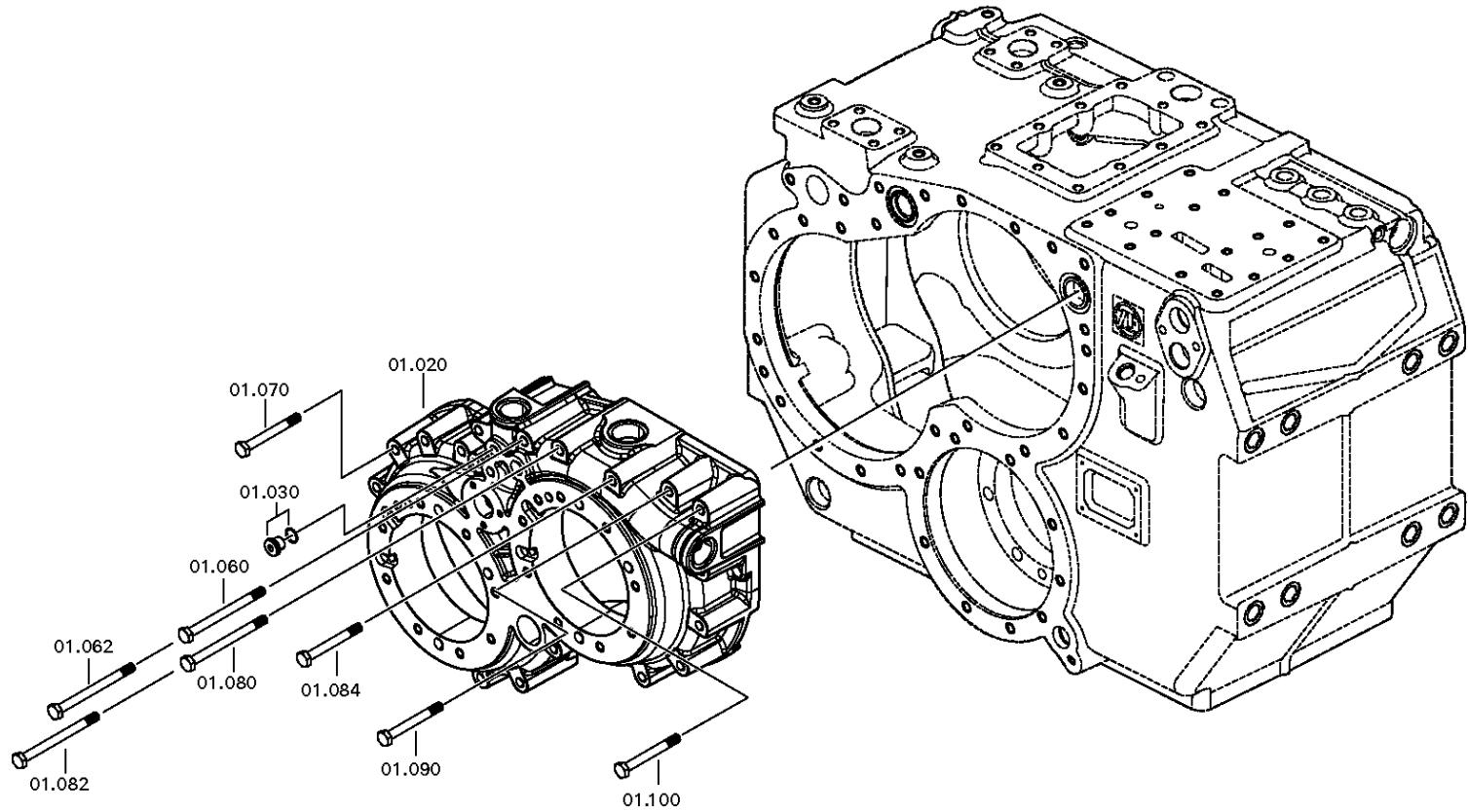
Material number: 3101.052.029

Plant: 154.01.92-1

PLATE



ZFW 3355 /
PLATE



Parts list

Page 1 from 4



ZFW 3355 /

Material number: 3101.052.029

Plant: 154.01.40-1

Material-assembly-group-no: 3101.101.400

	Pos.	Material number	Customer material	Name	Quantity	ME	Amend. no.	Techn. Info.	Rep kit	Alternative material
	10	3101.301.081		HOUSING	1			ZF 3311		
	20	3101.301.076		COVER	1			ZFW 3355/ZFW3755		
	30	---		SCREW PLUG	1			35N.M.*DICHTRING/M14X1,5 M14X1,5		
	---	0636.100.689		SCREW PLUG	1			M14X1,5		
	---	0634.801.038		SEALING RING	1			14X18		
	40	0634.313.478		O-RING	1			35X4		
	50	0631.315.527		PIN	2			14X36		
	60	0636.102.744		HEXAGON SCREW	2			M10X120		
	62	0636.102.744		HEXAGON SCREW	1			M10X120		
	70	0636.100.352		HEXAGON SCREW	14		Z00007738611	M10X90		
	80	0636.102.744		HEXAGON SCREW	1			M10X120		
	82	0636.102.744		HEXAGON SCREW	1			M10X120		
	84	0636.100.352		HEXAGON SCREW	1		Z00007738611	M10X90		
	90	0636.100.352		HEXAGON SCREW	1		Z00007738611	M10X90		
	100	0636.100.352		HEXAGON SCREW	1		Z00007738611	M10X90		
	110	3101.207.033		SPRAY TUBE	1			VENTIL*1,7BAR*MOTOR N=< 1650 MIN-1		
	120	0634.316.047		O-RING	1			30X3		
	130	---		CAP SCREW	3			M6X18		
	---	0636.100.595		CAP SCREW	1		Z00007713710	M6X18		
	---	0630.001.139		WASHER	1		Z00007164312			
	140	---		SCREW PLUG	1			80N.M*DICHTRING*LOCTITE M26X1,5		
	---	0636.100.811		SCREW PLUG	1			M26X1,5		
	---	0634.801.088		SEALING RING	1			26X32		
	150	---		SCREW PLUG	1			80N.M*DICHTRING*LOCTITE M26X1,5		
	---	0636.100.811		SCREW PLUG	1			M26X1,5		
	---	0634.801.088		SEALING RING	1			26X32		
	160	0630.502.010		RETAINING RING	1			24X1,2		
	170	0634.313.237		O-RING	1			23X4		
	180	0634.313.478		O-RING	1			35X4		
	190	3101.301.008		TUBE	1					

Parts list

Page 2 from 4



ZFW 3355 /

Material number: 3101.052.029

Plant: 154.01.40-1

Material-assembly-group-no: 3101.101.400

	Pos.	Material number	Customer material	Name	Quantity	ME	Amend. no.	Techn. Info.	Rep kit	Alternative material
	200	0634.313.237		O-RING	1			23X4		
	210	3101.201.020		OIL LEVEL TUBE	1			ZF 33XX A=190		
	218	0501.321.452		TAG	1			ACHTUNG*GETRIEBE OHNE OEL 140X240		
	220	3081.201.043		OIL DIPSTICK	1			L=542		
	230	0634.316.191		O-RING	1			15X3		
	240	0636.100.622		HEXAGON SCREW	1			M8X16		
	242	0632.311.264		CLAMP	1			15X20		
	244	3083.301.097		SHACKLE	1			GERADE*BOHRUNG1=8,5MM* BOHRUNG2=12MM		
	246	---		BOLT+NUT	1			M8X20		
	---	0636.100.796		HEXAGON SCREW	1		Z00007891120	M8X20		
	---	0630.100.295		WASHER	1		Z00007158416			
	---	0637.006.280		HEXAGON NUT	1		Z00007282712	M8		
	250	3101.301.007		TUBE	1					
	260	0630.502.014		RETAINING RING	1			28X1,2		
	270	0634.313.779		O-RING	1			22X3		
	280	0634.313.779		O-RING	1			22X3		
	330	3101.301.004		COVER	1			SCHAULOCHDECKEL		
	340	3101.301.005		GASKET	1			SCHAULOCHDECKEL		
	350	---		HEXAGON SCREW	10		Z00007056514	M10X35		
	---	0636.015.682		HEXAGON SCREW	1		Z00007056519	M10X35		
	---	0630.100.294		WASHER	1		Z00007158112			
	360	---		SCREW PLUG	1			115N.M*DICHTRING M36X1,5		
	---	0636.104.292		SCREW PLUG	1			M36X1,5		
	---	0634.801.251		SEALING RING	1			36X42		
	400	3101.201.006		OIL TRAY	1			ZF 3350		
	410	---		HEXAGON SCREW	4			M8X18		
	---	0636.015.681		HEXAGON SCREW	1		Z00007072812	M8X18		
	---	0630.100.276		WASHER	1		Z00007290410			
	420	3101.301.021		OIL PAN	1			ZF 3300		
	430	3101.301.022		GASKET	1			ZF 3350 OELWANNE		
	440	---		HEXAGON SCREW	30			M10X40		
	---	0636.015.683		HEXAGON SCREW	1		Z00007056611	M10X40		

Parts list

Page 3 from 4



ZFW 3355 /

Material number: 3101.052.029

Plant: 154.01.40-1

Material-assembly-group-no: 3101.101.400

	Pos.	Material number	Customer material	Name	Quantity	ME	Amend. no.	Techn. Info.	Rep kit	Alternative material
	---	0630.100.294		WASHER	1		Z00007158114			
	442	---		HEXAGON SCREW	2			M10X40		
	---	0636.015.683		HEXAGON SCREW	1		Z00007056611	M10X40		
	---	0630.100.294		WASHER	1		Z00007158114			
	460	3101.207.003		VALVE	1			SICHERHEITSVENTIL		
	470	0630.100.004		SUPPORTING RING	1			22X32X2		
	480	0630.502.016		RETAINING RING	1			32X1,2		
	500	0730.365.799		TYPE PLATE	1			ZF MARINE GROSS		
	510	0631.100.078		GROOVED STUD	4		Z00007160815	3X5		
	600	---		SCREW PLUG	1			80N.M*DICHTRING M26X1,5		
	---	0636.104.291		SCREW PLUG	1			M26X1,5		
	---	0634.801.088		SEALING RING	1			26X32		
	610	---		SCREW PLUG	1		Z00010164414	80N.M*DICHTRING M26X1,5		
	---	0636.100.811		SCREW PLUG	1		Z00010164420	M26X1,5		
	---	0634.801.088		SEALING RING	1		Z00010164420	26X32		
	620	---		SCREW PLUG	1			12N.M*DICHTRING M10X1		
	---	0636.100.793		SCREW PLUG	1		Z00010111619	M10X1		
	---	0634.801.015		SEALING RING	1		Z00010111619	10X14		
	630	---		SCREW PLUG	1			130N.M*DICHTRING M36X1,5		
	---	0636.100.478		SCREW PLUG	1		Z00010164112	M36X1,5		
	---	0634.801.251		SEALING RING	1			36X42		
	640	---		SCREW PLUG	1			120N.M*DICHTRING M33X2		
	---	0636.302.607		SCREW PLUG	1		Z00010164713	M33X2		
	---	0634.801.227		SEALING RING	1			33X39		
	650	---		SCREW PLUG	1			12N.M*DICHTRING M10X1		
	---	0636.100.793		SCREW PLUG	1		Z00010111619	M10X1		
	---	0634.801.015		SEALING RING	1		Z00010111619	10X14		
	660	---		SCREW PLUG	1			120N.M*DICHTRING M33X2		
	---	0636.302.607		SCREW PLUG	1		Z00010164713	M33X2		
	---	0634.801.227		SEALING RING	1			33X39		
	670	---		SCREW PLUG	1			40N.M*DICHTRING M16X1,5		
	---	0636.100.794		SCREW PLUG	1		Z00010111712	M16X1,5		
	---	0634.801.050		SEALING RING	1			16X22		
	690	---		SCREW PLUG	1			40N.M*DICHTRING M16X1,5		

Parts list

Page 4 from 4



ZFW 3355 /

Material number: 3101.052.029

Plant: 154.01.40-1

Material-assembly-group-no: 3101.101.400

	Pos.	Material number	Customer material	Name	Quantity	ME	Amend. no.	Techn. Info.	Rep kit	Alternative material
	---	0636.100.794		SCREW PLUG	1		Z00010111712	M16X1,5		
	---	0634.801.050		SEALING RING	1			16X22		
	700	---		SCREW PLUG	1			70N.M*DICHTRING M26X1,5		
	---	0636.104.291		SCREW PLUG	1			M26X1,5		
	---	0634.801.088		SEALING RING	1			26X32		
	710	---		SCREW PLUG	1			130N.M*DICHTRING M36X1,5		
	---	0636.104.292		SCREW PLUG	1			M36X1,5		
	---	0634.801.251		SEALING RING	1			36X42		
	720	---		SCREW PLUG	1			130N.M*DICHTRING M36X1,5		
	---	0636.100.478		SCREW PLUG	1		Z00010164112	M36X1,5		
	---	0634.801.251		SEALING RING	1			36X42		
	740	---		SCREW PLUG	1		Z00010111817	100N.M*DICHTRING M30X1,5		
	---	0636.302.610		SCREW PLUG	1		Z00010111810	M30X1,5		
	---	0634.801.098		SEALING RING	1		Z00010111810	30X36		
	750	---		SCREW PLUG	1		Z00010111817	100N.M*DICHTRING M30X1,5		
	---	0636.302.610		SCREW PLUG	1		Z00010111810	M30X1,5		
	---	0634.801.098		SEALING RING	1		Z00010111810	30X36		
	760	---		SCREW PLUG	1		Z00010164414	80N.M*DICHTRING M26X1,5		
	---	0636.100.811		SCREW PLUG	1		Z00010164420	M26X1,5		
	---	0634.801.088		SEALING RING	1		Z00010164420	26X32		
	770	---		SCREW PLUG	1			125N.M*DICHTRING M42X2		
	---	0636.100.990		SCREW PLUG	1			M42X2		
	---	0634.801.215		SEALING RING	1			42X49		
	780	---		SCREW PLUG	1			40N.M*DICHTRING M16X1,5		
	---	0636.100.794		SCREW PLUG	1		Z00010111712	M16X1,5		
	---	0634.801.050		SEALING RING	1			16X22		
	810	---		SCREW PLUG	1			130N.M*DICHTRING M36X1,5		
	---	0636.100.478		SCREW PLUG	1		Z00010164112	M36X1,5		
	---	0634.801.251		SEALING RING	1			36X42		
	950	---		BREATHER	1			M16X1,5		
	---	0637.885.485		BREATHER	1			M16X1,5		
	---	0634.801.050		SEALING RING	1			16X22		

Plant

Page 1 from 6

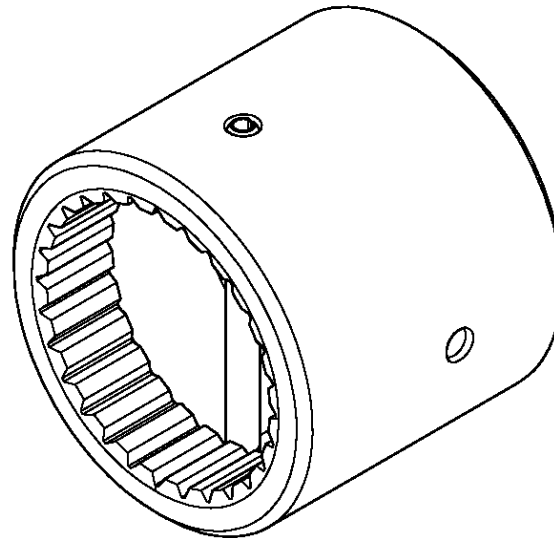
Material number: 3101.052.029

Plant: 211.15.03-1

SLEEVE



ZFW 3355 /
SLEEVE



Plant

Page 2 from 6

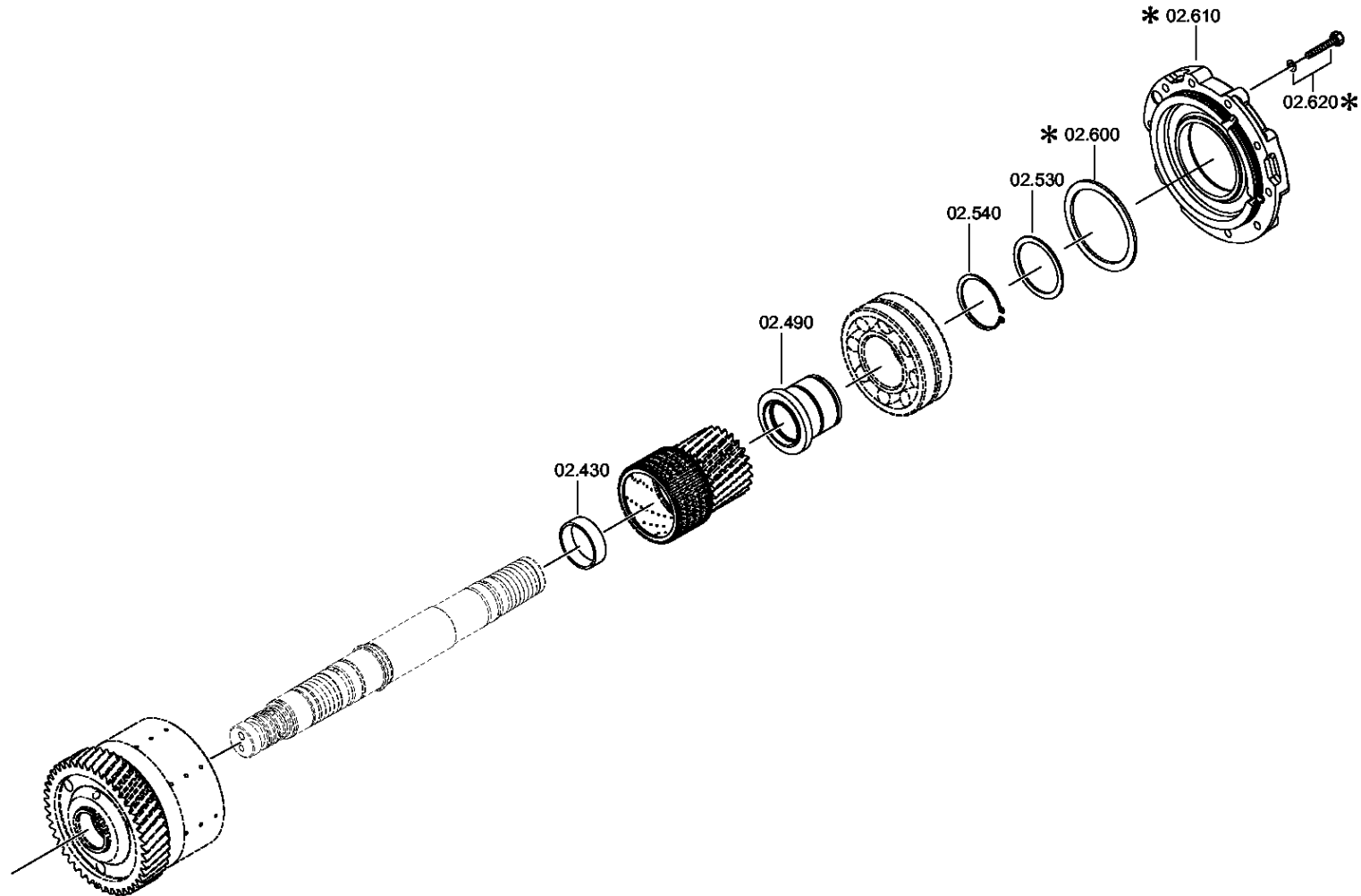
Material number: 3101.052.029

Plant: 154.02.05-1

SLEEVE



ZFW 3355 /
SLEEVE



Plant

Page 3 from 6

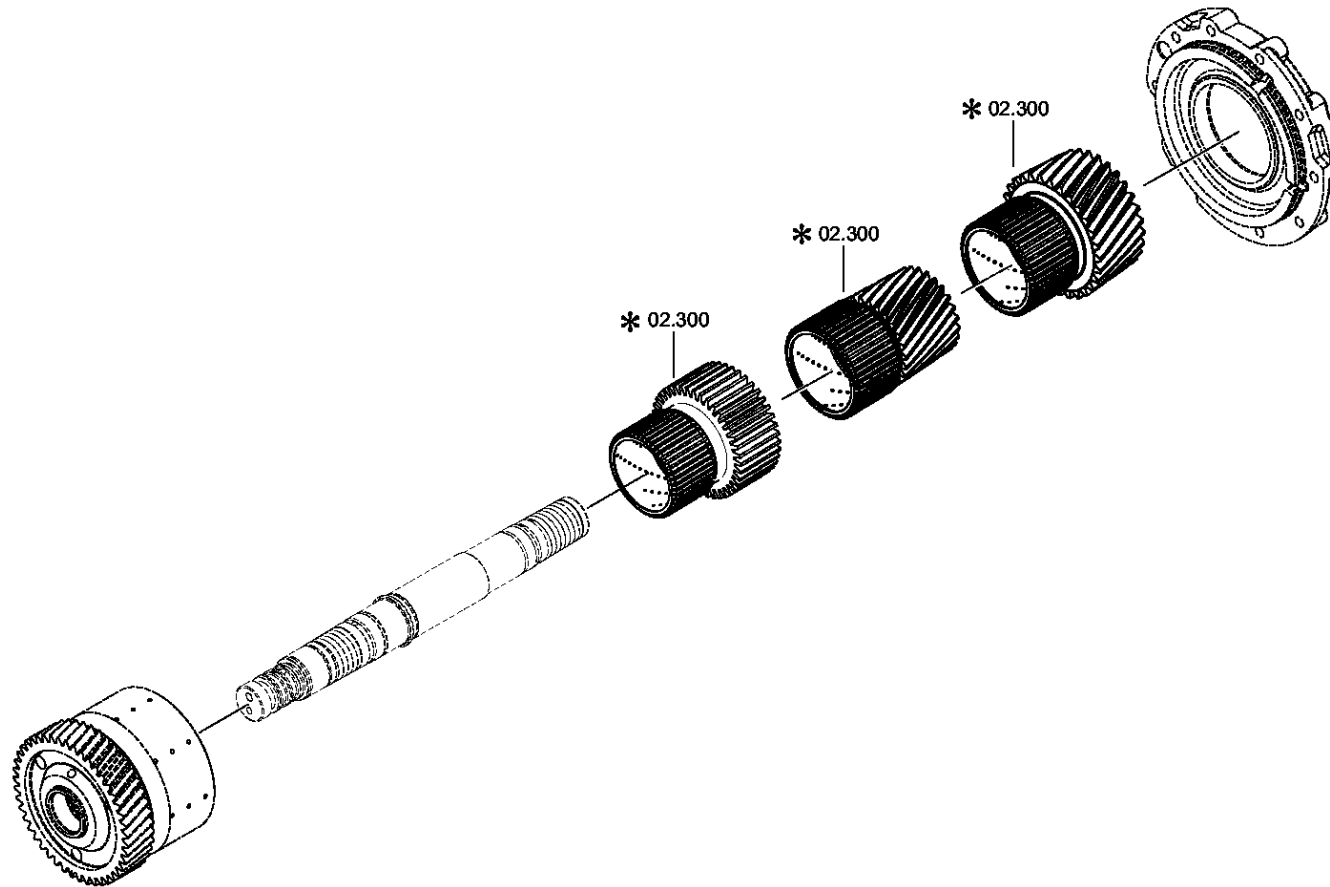
Material number: 3101.052.029

Plant: 154.02.09-1

SLEEVE



ZFW 3355 /
SLEEVE



Plant

Page 4 from 6

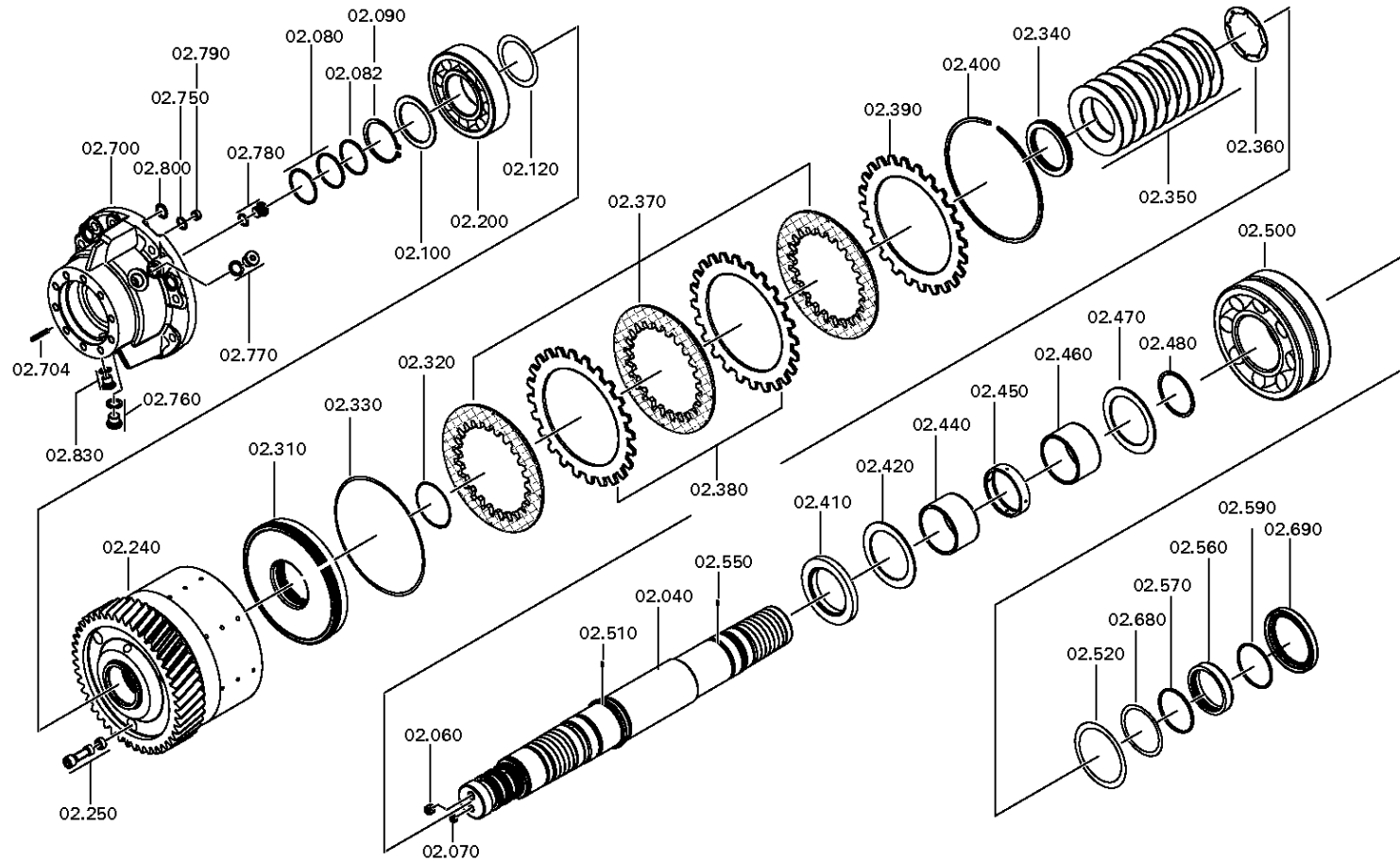
Material number: 3101.052.029

Plant: 154.02.34-1

SLEEVE



ZFW 3355 /
SLEEVE



Plant

Page 5 from 6

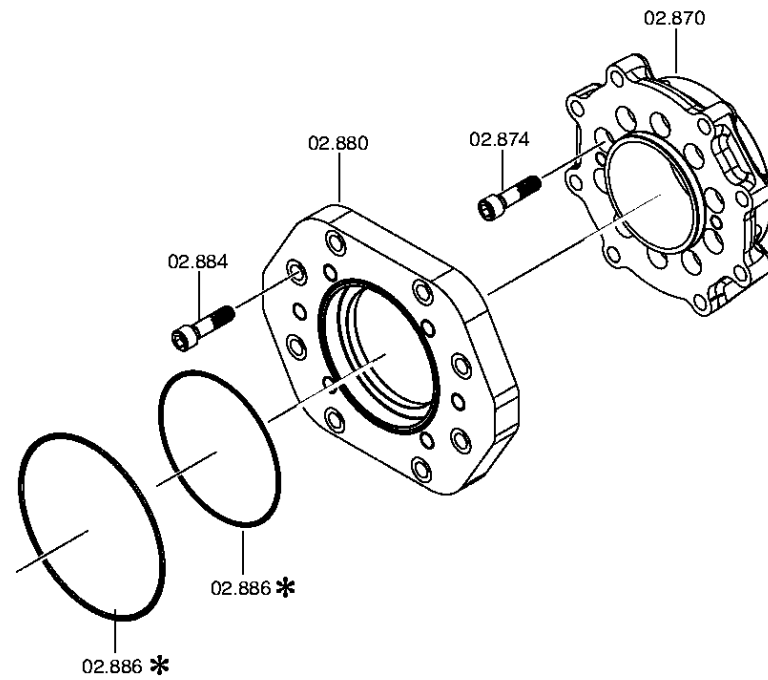
Material number: 3101.052.029

Plant: 154.02.80-1

SLEEVE



ZFW 3355 /
SLEEVE



Plant

Page 6 from 6

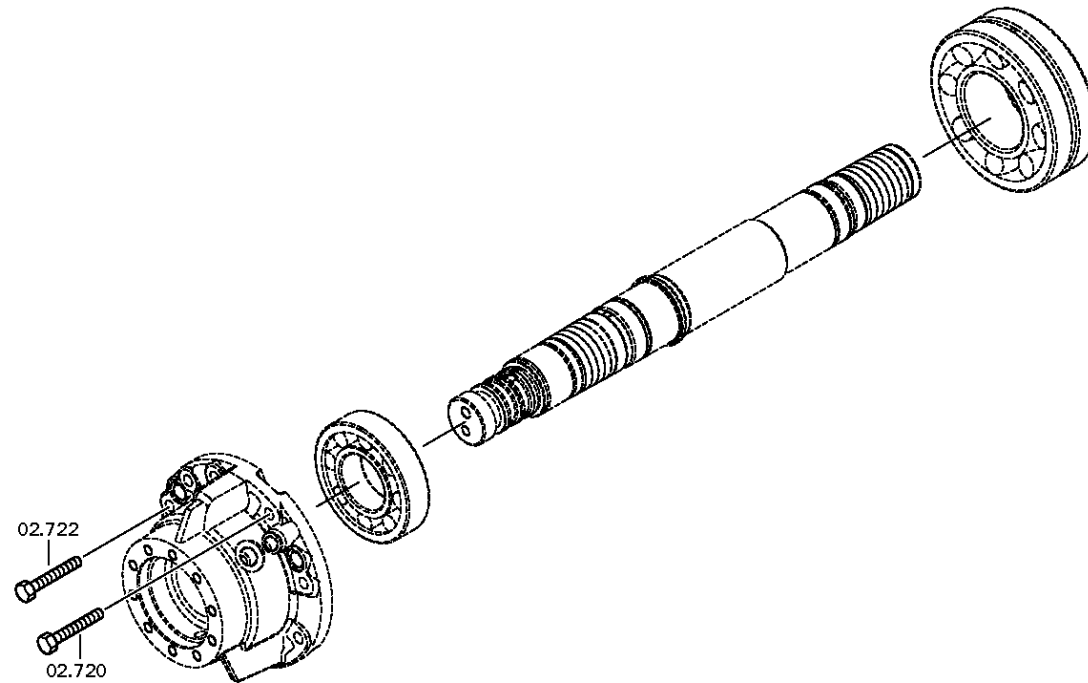
Material number: 3101.052.029

Plant: 154.02.90-1

SLEEVE



ZFW 3355 /
SLEEVE



Parts list

Page 1 from 3



ZFW 3355 /

Material number: 3101.052.029

Plant: 211.15.03-1

Material-assembly-group-no: 3109.215.004

	Pos.	Material number	Customer material	Name	Quantity	ME	Amend. no.	Techn. Info.	Rep kit	Alternative material
🛒	24	3109.215.004		SLEEVE	1			SAE C		
🛒	40	3101.302.027		INPUT SHAFT	1					
	60	---		ORIFICE	1			D=1,30 M12x1,5x7		
🛒	---	0731.607.071		ORIFICE	1			M12X1,5X7*D=1,3		
	70	---		SET SCREW	1			M14X12		
🛒	---	0631.610.112		SET SCREW	1			M14X12		
🛒	80	0634.402.119		R-RING	2			60X2,5		
🛒	82	0634.402.119		R-RING	1			60X2,5		
🛒	90	0630.501.046		RETAINING RING	1			70X2,5		
🛒	100	0630.004.389		SUPPORTING RING	1			70X87X3,5		
	120	---		SHIM RING	1			H= 0,10- 1,00		
🛒	---	0630.000.194		SHIM RING	1			70X90X0,1		
🛒	---	0630.000.314		SHIM RING	1			70X90X0,15		
🛒	---	0630.000.110		SHIM RING	1			70X90X0,2		
🛒	---	0630.000.111		SHIM RING	1			70X90X0,3		
🛒	---	0630.000.112		SHIM RING	1			70X90X0,5		
🛒	---	0630.000.219		SHIM RING	1			70X90X1		
🛒	200	0750.118.502		CYLINDER ROLLER BEARING	1			70,0X160,0X37,0		
🛒	240	3101.302.128		HELICAL GEAR	1			Z42		
	250	---		BOLT+NUT	3			NOTFAHRSCHRAUBE M12X45		
🛒	---	0736.101.424		CAP SCREW	1			NOTFAHRSCHRAUBE M12X45		
🛒	---	3100.302.075		NUT	1			NOTFAHRSCHRAUBE M10		
🛒	300	3101.202.040		PINION	1			Z23*I=4,478*ZF 30XX		
🛒	310	3101.302.144		PISTON	1					
🛒	320	0634.313.046		O-RING	1			74X3		
🛒	330	0750.112.218		O-RING	1			200X3		
🛒	340	3101.302.129		SUPPORT RING	1					
🛒	350	0501.322.006		CUP SPRING	10					
🛒	360	3101.302.074		WASHER	1					
🛒	370	0501.330.806		INNER CLUTCH DISK	9			STAHLLEMELLE MIT MARKIERUNG WELLENBERG		
🛒	380	0501.218.230		OUTER CLUTCH DISK	10			BELAGLEMELLE*ORGANISCHER BELAG Ø220,7		

Parts list

Page 2 from 3



ZFW 3355 /

Material number: 3101.052.029

Plant: 211.15.03-1

Material-assembly-group-no: 3109.215.004

	Pos.	Material number	Customer material	Name	Quantity	ME	Amend. no.	Techn. Info.	Rep kit	Alternative material
	390	3101.302.055		END SHIM	1					
	400	---		SNAP RING	1			H= 3,10- 4,60(ABSTUFUNG:0,50MM)		
	---	0730.513.993		SNAP RING	1			A=3,10		
	---	0730.302.934		SNAP RING	1			h=3,60		
	---	0730.302.935		SNAP RING	1			h=4,10		
	---	0730.302.936		SNAP RING	1			h=4,6		
	410	3101.302.105		RING	1					
	420	0501.321.140		THRUST WASHER	1			ZF3000/ZF8000/ZF9000/W10000/ W11000/ZF24000 3X86X115		
	430	3101.302.072		BUSH	1					
	440	0501.321.139		BEARING BUSH	1			ZF3000*ZF8000*ZF9000* ZFW10000*ZF24000		
	450	3101.302.061		BUSH	1					
	460	0501.321.139		BEARING BUSH	1			ZF3000*ZF8000*ZF9000* ZFW10000*ZF24000		
	470	0501.321.140		THRUST WASHER	1			ZF3000/ZF8000/ZF9000/W10000/ W11000/ZF24000 3X86X115		
	480	0630.505.505		SNAP RING	1					
	490	3101.302.063		BEARING BUSH	1					
	500	0635.900.870		SPHERICALLY SEATED BEARING	1			95X200X67		
	510	0631.329.011		SPRING PIN	1			3X10		
	520	---		SHIM RING	1			H= 0,10- 1,00		
	---	0630.004.321		SHIM RING	1			95X115X0,1		
	---	0630.004.398		SHIM RING	1			95X115X0,15		
	---	0630.004.322		SHIM RING	1			95X115X0,2		
	---	0630.004.188		SHIM RING	1			95X115X0,5		
	---	0630.000.213		SHIM RING	1			95X115X1		
	530	0630.004.390		SUPPORTING RING	1			95X110X3,5		
	540	0630.501.055		RETAINING RING	1			95X3		
	550	0631.329.011		SPRING PIN	1			3X10		
	560	3101.302.060		BUSH	1					
	570	0634.313.067		O-RING	1			70X3		
	590	0630.503.008		SNAP RING	1					

Parts list

Page 3 from 3



ZFW 3355 /

Material number: 3101.052.029

Plant: 211.15.03-1

Material-assembly-group-no: 3109.215.004

	Pos.	Material number	Customer material	Name	Quantity	ME	Amend. no.	Techn. Info.	Rep kit	Alternative material
	680	---		SHIM RING	1			H= 0,10- 1,50 72X90		
	---	0730.010.586		SHIM RING	1			A=0,10		
	---	0730.010.587		SHIM RING	1			A=0,15		
	---	0730.010.588		SHIM RING	1			A=0,20		
	---	0730.010.589		SHIM RING	1			A=0,50		
	690	---		SHAFT SEAL	1			85X110X12/9,5		
	---	0734.319.742		SHAFT SEAL	1			85,0X110,0X12,0		
	700	3101.302.112		OIL FEEDER	1			ANTR.WELLE PTO-ANSCHLUSS		
	704	0631.100.241		SLOTTED PIN	1			10X24		
	720	0636.015.682		HEXAGON SCREW	8		Z00007056514	M10X35		
	722	0636.015.682		HEXAGON SCREW	1		Z00007056514	M10X35		
	750	0634.316.191		O-RING	1			15X3		
	760	---		SCREW PLUG	1			25N.M*DICHTRING M14X1,5		
	---	0636.100.689		SCREW PLUG	1		Z00010111910	M14X1,5		
	---	0634.801.151		SEALING RING	1		Z00010111910	14X20		
	770	---		SCREW PLUG	1			25N.M*DICHTRING M14X1,5		
	---	0636.100.689		SCREW PLUG	1		Z00010111910	M14X1,5		
	---	0634.801.151		SEALING RING	1		Z00010111910	14X20		
	780	---		SCREW PLUG	1			25N.M*DICHTRING M14X1,5		
	---	0636.100.689		SCREW PLUG	1		Z00010111910	M14X1,5		
	---	0634.801.151		SEALING RING	1		Z00010111910	14X20		
	790	---		ORIFICE	1			D=1,30 M12x1,5x7		
	---	0731.607.071		ORIFICE	1			M12X1,5X7*D=1,3		
	800	0634.316.191		O-RING	1			15X3		
	830	---		SCREW PLUG	1			25N.M*DICHTRING M12X1,5		
	---	0636.100.792		SCREW PLUG	1		Z00010162916	M12X1,5		
	---	0634.801.029		SEALING RING	1		Z00010162916	12X16		
	870	3100.315.002		COVER	1			PTO-ANSCHLUSS		
	874	0636.100.576		CAP SCREW	10		Z00007714114	M10X45		
	880	3100.315.022		CONNECTION PLATE	1			SAE C		
	884	0636.100.574		CAP SCREW	8			M10X35		
	886	0634.313.377		O-RING	1			132X3		

Plant

Page 1 from 4

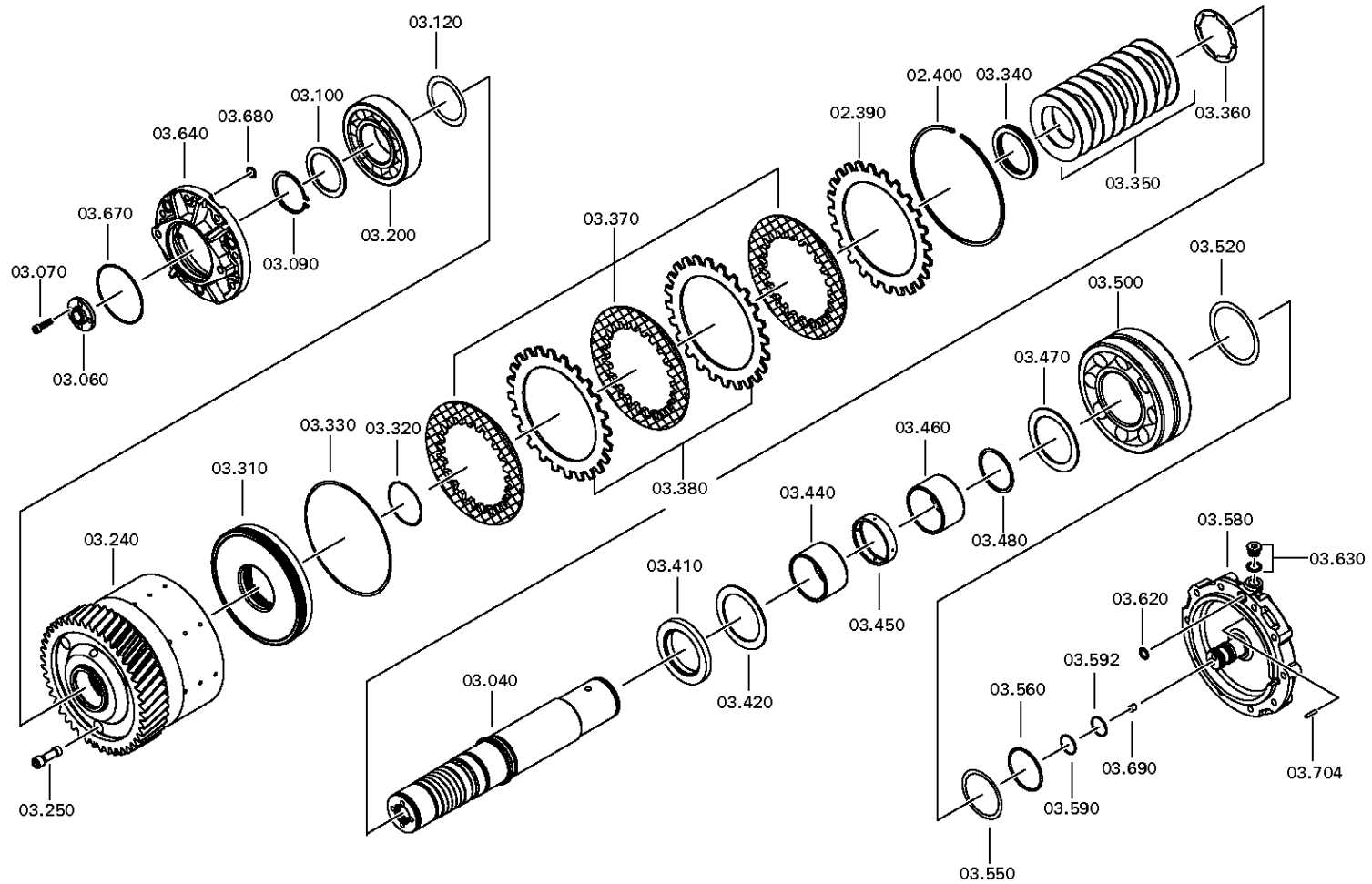
Material number: 3101.052.029

Plant: 154.03.16-1

INTERMEDIATE SHAFT



ZFW 3355 /
INTERMEDIATE SHAFT



Plant

Page 2 from 4

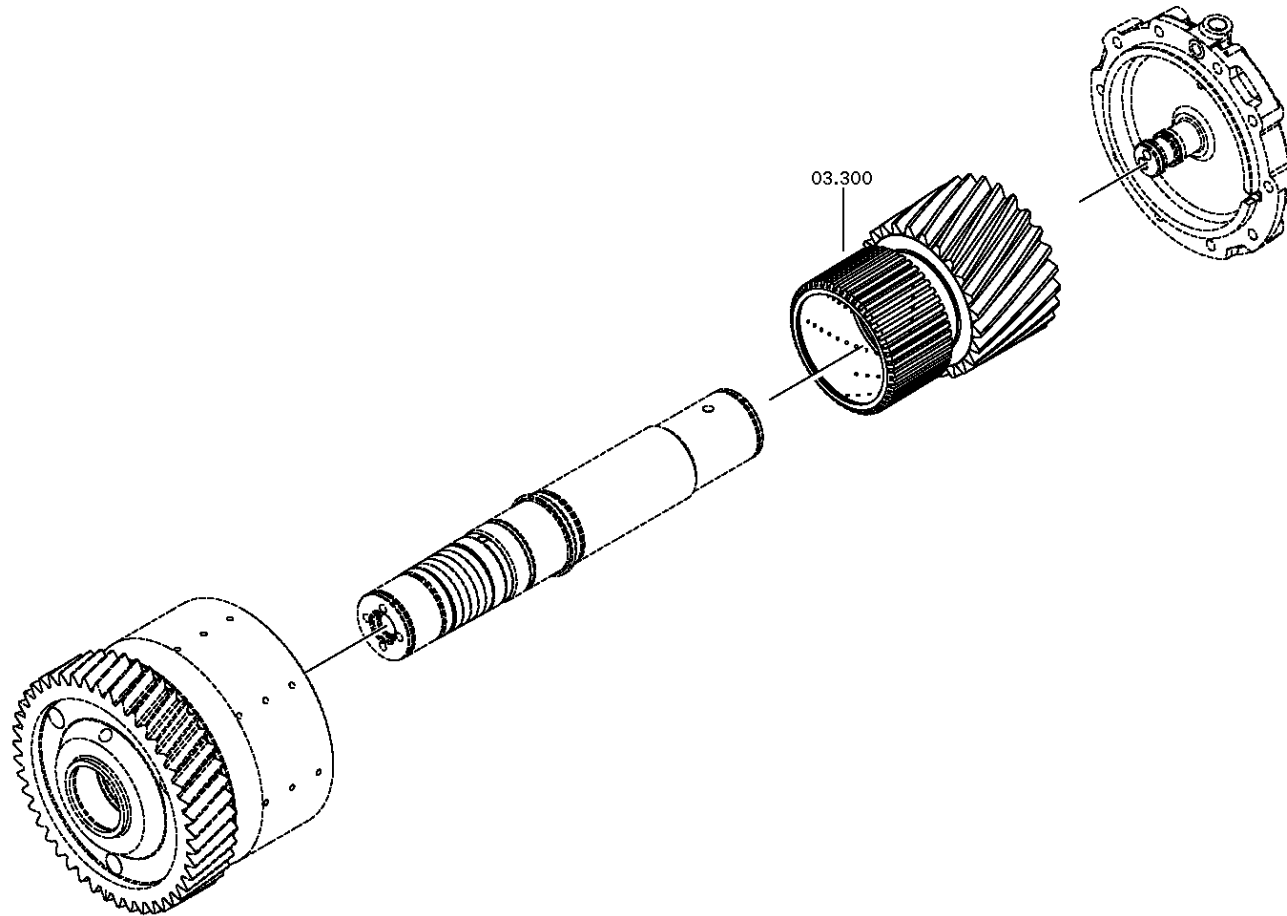
Material number: 3101.052.029

Plant: 154.03.02-1

INTERMEDIATE SHAFT



ZFW 3355 /
INTERMEDIATE SHAFT



Plant

Page 3 from 4

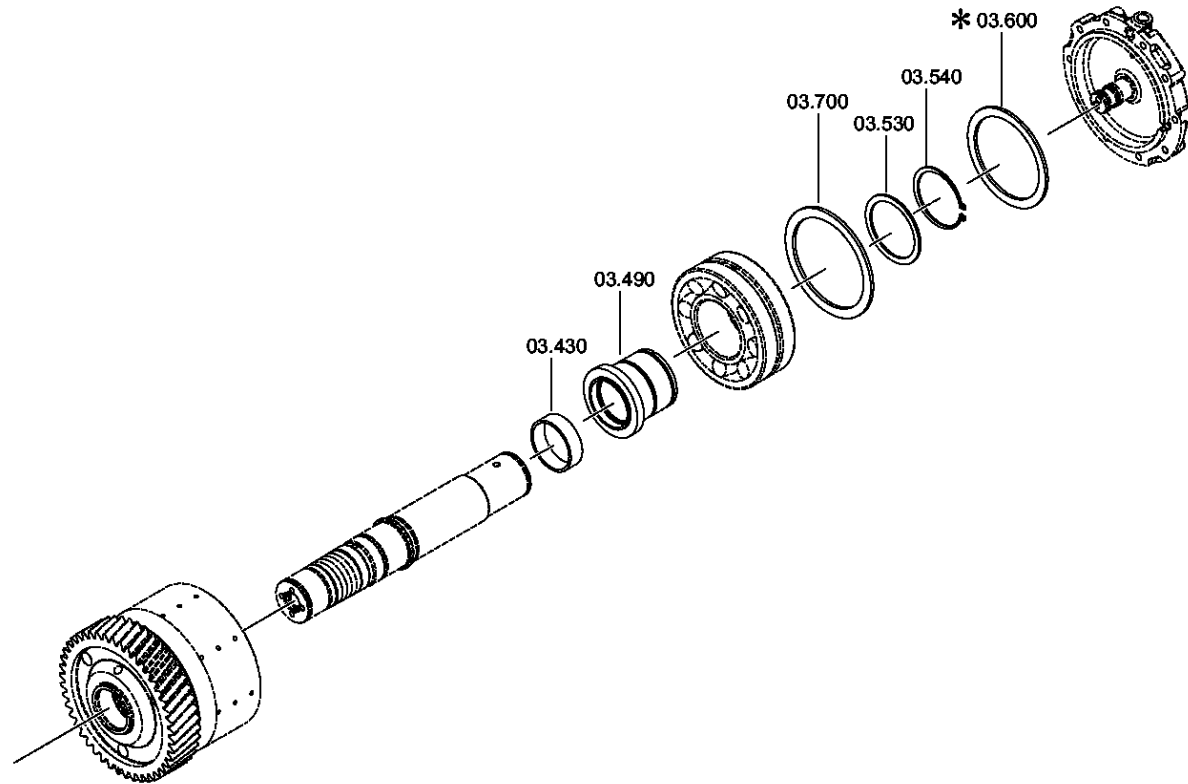
Material number: 3101.052.029

Plant: 154.03.06-1

INTERMEDIATE SHAFT



ZFW 3355 /
INTERMEDIATE SHAFT



Plant

Page 4 from 4

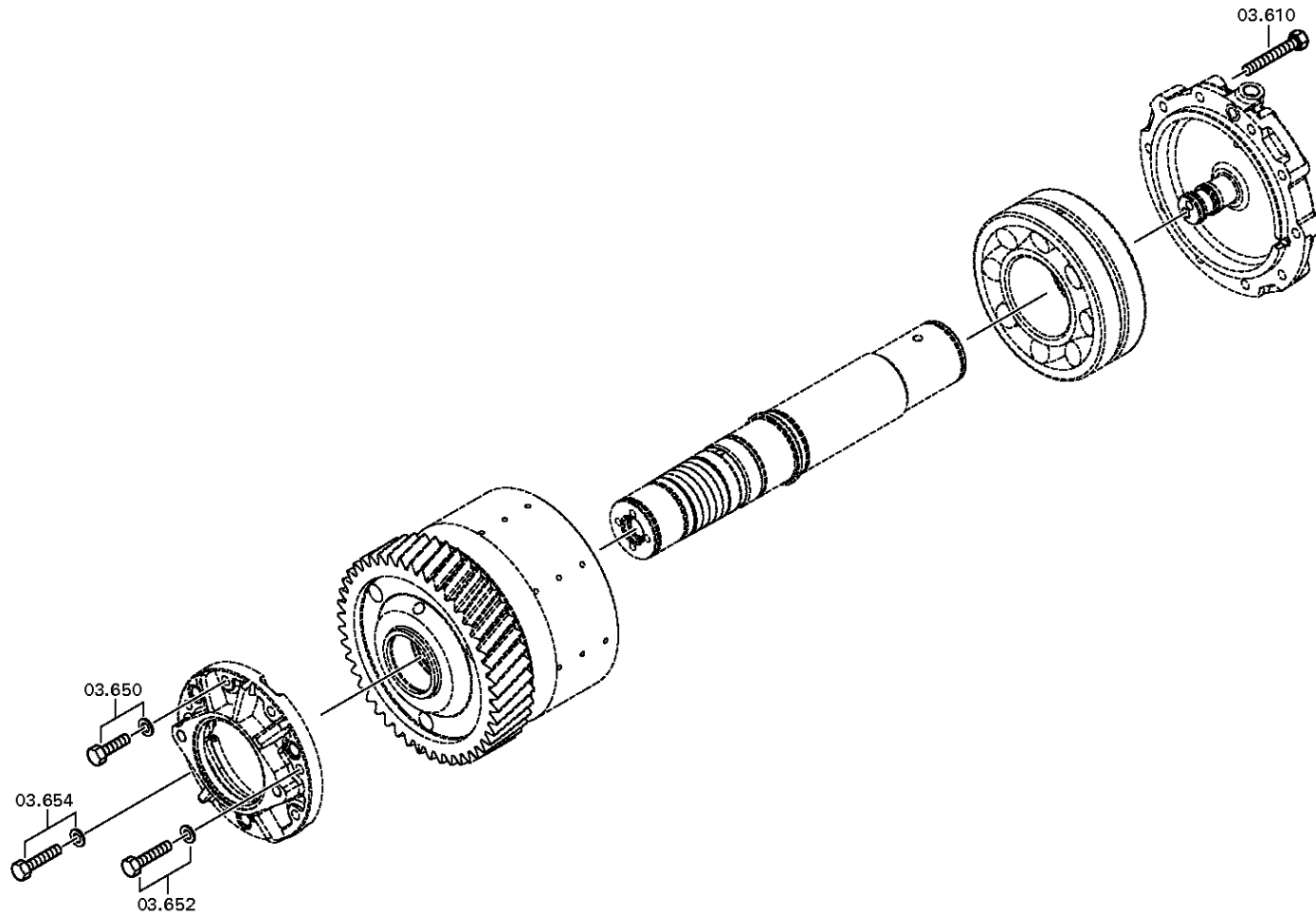
Material number: 3101.052.029

Plant: 154.03.18-1

INTERMEDIATE SHAFT



ZFW 3355 /
INTERMEDIATE SHAFT



Parts list

Page 1 from 3



ZFW 3355 /

Material number: 3101.052.029

Plant: 154.03.16-1

Material-assembly-group-no: 3101.103.027

	Pos.	Material number	Customer material	Name	Quantity	ME	Amend. no.	Techn. Info.	Rep kit	Alternative material
🛒	40	3101.203.039		INTERMEDIATE SHAFT	1			MIT TEST*SCHALTZEITOPTIMIERT		
🛒	60	3100.303.026		DRIVER	1			PRIMAERPUMPE		
🛒	70	0636.100.790		CAP SCREW	4			M8X30		
🛒	90	0630.501.046		RETAINING RING	1			70X2,5		
🛒	100	0630.004.389		SUPPORTING RING	1			70X87X3,5		
	120	---		SHIM RING	1			H= 0,10- 1,00		
🛒	---	0630.000.194		SHIM RING	1			70X90X0,1		
🛒	---	0630.000.314		SHIM RING	1			70X90X0,15		
🛒	---	0630.000.110		SHIM RING	1			70X90X0,2		
🛒	---	0630.000.111		SHIM RING	1			70X90X0,3		
🛒	---	0630.000.112		SHIM RING	1			70X90X0,5		
🛒	---	0630.000.219		SHIM RING	1			70X90X1		
🛒	200	0750.118.502		CYLINDER ROLLER BEARING	1			70,0X160,0X37,0		
🛒	240	3101.303.100		HELICAL GEAR	1			Z42		
	250	---		BOLT+NUT	3			NOTFAHRSCRAUBE M12X45		
🛒	---	0736.101.424		CAP SCREW	1			NOTFAHRSCRAUBE M12X45		
🛒	---	3100.302.075		NUT	1			NOTFAHRSCRAUBE M10		
🛒	300	3101.202.040		PINION	1			Z23*I=4,478*ZF 30XX		
🛒	310	3101.302.144		PISTON	1					
🛒	320	0634.313.046		O-RING	1			74X3		
🛒	330	0750.112.218		O-RING	1			200X3		
🛒	340	3101.302.129		SUPPORT RING	1					
🛒	350	0501.322.006		CUP SPRING	10					
🛒	360	3101.302.074		WASHER	1					
🛒	370	0501.330.806		INNER CLUTCH DISK	9			STAHLLEMELLE MIT MARKIERUNG WELLENBERG		
🛒	380	0501.218.230		OUTER CLUTCH DISK	10			BELAGLEMELLE*ORGANISCHER BELAG Ø220,7		
🛒	390	3101.302.055		END SHIM	1					
	400	---		SNAP RING	1			H= 3,10- 4,60(ABSTUFUNG:0,50MM)		
🛒	---	0730.513.993		SNAP RING	1			A=3,10		
🛒	---	0730.302.934		SNAP RING	1			h=3,60		
🛒	---	0730.302.935		SNAP RING	1			h=4,10		

Parts list

Page 2 from 3

Material number: 3101.052.029

Plant: 154.03.16-1

Material-assembly-group-no: 3101.103.027



ZFW 3355 /

	Pos.	Material number	Customer material	Name	Quantity	ME	Amend. no.	Techn. Info.	Rep kit	Alternative material
	---	0730.302.936		SNAP RING	1			h=4,6		
	410	3101.302.105		RING	1					
	420	0501.321.140		THRUST WASHER	1			ZF3000/ZF8000/ZF9000/W10000/ W11000/ZF24000 3X86X115		
	430	3101.302.072		BUSH	1					
	440	0501.321.139		BEARING BUSH	1			ZF3000*ZF8000*ZF9000* ZFW10000*ZF24000		
	450	3101.302.061		BUSH	1					
	460	0501.321.139		BEARING BUSH	1			ZF3000*ZF8000*ZF9000* ZFW10000*ZF24000		
	470	0501.321.140		THRUST WASHER	1			ZF3000/ZF8000/ZF9000/W10000/ W11000/ZF24000 3X86X115		
	480	0630.505.505		SNAP RING	1					
	490	3101.302.063		BEARING BUSH	1					
	500	0635.900.870		SPHERICALLY SEATED BEARING	1			95X200X67		
	520	---		SHIM RING	1			H= 0,10- 1,00		
	---	0630.004.321		SHIM RING	1			95X115X0,1		
	---	0630.004.398		SHIM RING	1			95X115X0,15		
	---	0630.004.322		SHIM RING	1			95X115X0,2		
	---	0630.004.188		SHIM RING	1			95X115X0,5		
	---	0630.000.213		SHIM RING	1			95X115X1		
	530	0630.004.390		SUPPORTING RING	1			95X110X3,5		
	540	0630.501.055		RETAINING RING	1			95X3		
	550	---		SHIM RING	1			H= 0,10- 1,50 72X90		
	---	0730.010.586		SHIM RING	1			A=0,10		
	---	0730.010.587		SHIM RING	1			A=0,15		
	---	0730.010.588		SHIM RING	1			A=0,20		
	---	0730.010.589		SHIM RING	1			A=0,50		
	560	0630.503.008		SNAP RING	1					
	580	3101.303.064		OIL FEEDER	1					
	590	0634.402.030		R-RING	1			35X2		
	592	0634.402.030		R-RING	1			35X2		
	610	0636.100.414		HEXAGON SCREW	10			M10X45		

Parts list

Page 3 from 3



ZFW 3355 /

Material number: 3101.052.029

Plant: 154.03.16-1

Material-assembly-group-no: 3101.103.027

	Pos.	Material number	Customer material	Name	Quantity	ME	Amend. no.	Techn. Info.	Rep kit	Alternative material
	620	0634.316.191		O-RING	1			15X3		
	630	---		SCREW PLUG	1			35N.M*DICHTRING M18X1,5		
	---	0636.100.791		SCREW PLUG	1		Z00010111521	M18X1,5		
	---	0634.801.063		SEALING RING	1		Z00010111521	18X24		
	640	3101.303.099		PUMP FLANGE	1			ZWISCHENWELLE		
	650	---		HEXAGON SCREW	7			M10X35		
	---	0636.015.682		HEXAGON SCREW	1		Z00007056519	M10X35		
	---	0630.100.294		WASHER	1		Z00007158112			
	652	---		HEXAGON SCREW	1			M10X40		
	---	0636.015.683		HEXAGON SCREW	1		Z00007056611	M10X40		
	---	0630.100.294		WASHER	1		Z00007158111			
	654	---		HEXAGON SCREW	1			M10X40		
	---	0636.015.683		HEXAGON SCREW	1		Z00007056611	M10X40		
	---	0630.100.294		WASHER	1		Z00007158111			
	670	0634.313.669		O-RING	1			102X3		
	680	0634.316.191		O-RING	1			15X3		
	690	---		SET SCREW	1			M12x10		
	---	0631.610.013		SET SCREW	1			M12X10		
	---	0666.690.248		JOINTING COMPOUND	10					
	700	0730.113.144		WASHER	1					
	704	0631.100.241		SLOTTED PIN	1			10X24		

Plant

Page 1 from 3

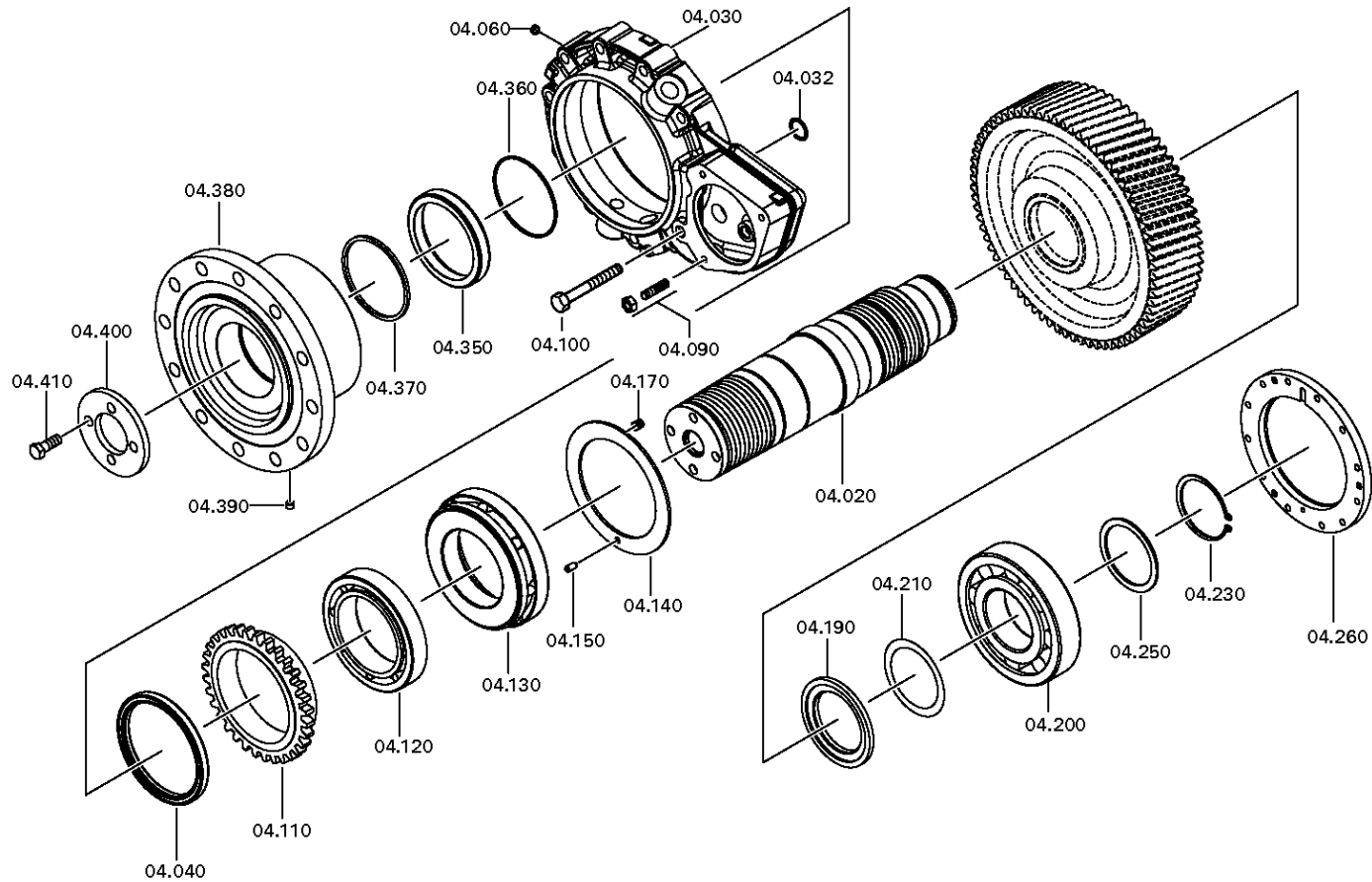
Material number: 3101.052.029

Plant: 154.04.16-1

OUTPUT SHAFT



ZFW 3355 /
OUTPUT SHAFT



Plant

Page 2 from 3

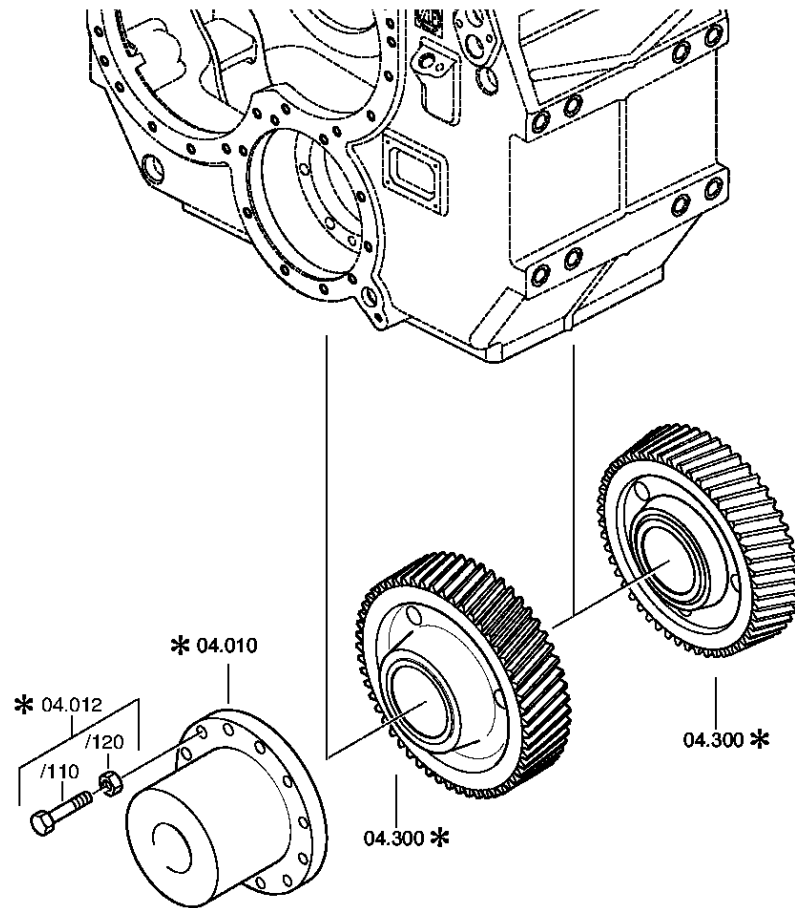
Material number: 3101.052.029

Plant: 154.04.03-1

OUTPUT SHAFT



ZFW 3355 /
OUTPUT SHAFT



Plant

Page 3 from 3

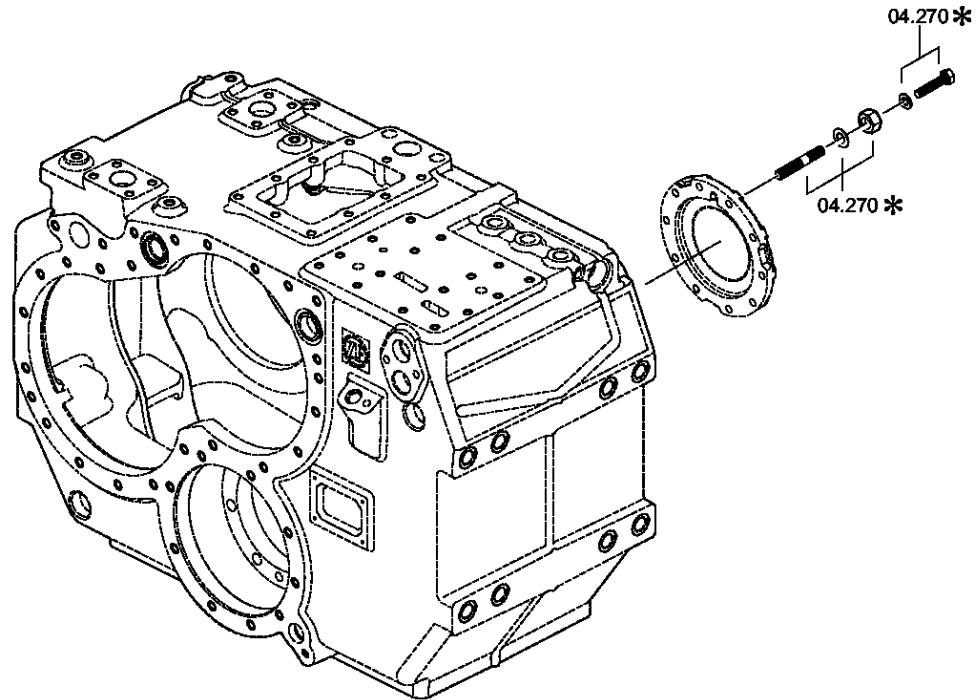
Material number: 3101.052.029

Plant: 154.04.06-1

OUTPUT SHAFT



ZFW 3355 /
OUTPUT SHAFT



Parts list

Page 1 from 2



ZFW 3355 /

Material number: 3101.052.029

Plant: 154.04.16-1

Material-assembly-group-no: 3101.104.015

	Pos.	Material number	Customer material	Name	Quantity	ME	Amend. no.	Techn. Info.	Rep kit	Alternative material
	20	3101.304.123		OUTPUT SHAFT	1		Z00029670810			
	30	3101.304.086		COVER	1		Z00029670810	ABTRIEBSWELLE		
	32	0634.313.017		O-RING	1		Z00029670810	27X3		
	40	0634.319.156		SHAFT SEAL	1		Z00029670810	170X200X15		
	60	---		ORIFICE	1		Z00029670810	D=1,30 M12x1,5x7		
	---	0731.607.071		ORIFICE	1			M12X1,5X7*D=1,3		
	90	0636.011.778		HEXAGON SCREW	9		Z00029670810	M12X60		
	100	0636.100.384		HEXAGON SCREW	1		Z00029670810	M12X80		
	110	3101.304.088		DRIVE PINION	1		Z00029670810	ZF3350		
	120	0750.117.367		TAPERED ROLLER BEARING	1		Z00029670810	140,000X210,000X45,000		
	130	0750.117.837		AXIAL ROLLER BEARING	1		Z00029670810	140X240X60		
	140	---		WASHER	1			H= 4,50- 6,00(ABSTUFUNG:0,10MM)		
	---	3101.304.093		WASHER	1			4,5X180,25X239,75		
	---	3101.304.094		WASHER	1			4,6X180,25X239,75		
	---	3101.304.095		WASHER	1			4,7X180,25X239,75		
	---	3101.304.096		WASHER	1			4,8X180,25X239,75		
	---	3101.304.097		WASHER	1			4,9X180,25X239,75		
	---	3101.304.099		WASHER	1			5,1X180,25X239,75		
	---	3101.304.100		WASHER	1			5,2X180,25X239,75		
	---	3101.304.101		WASHER	1			5,3X180,25X239,75		
	---	3101.304.102		WASHER	1			5,4X180,25X239,75		
	---	3101.304.103		WASHER	1			5,5X180,25X239,75		
	---	3101.304.104		WASHER	1			5,6X180,25X239,75		
	---	3101.304.105		WASHER	1			5,7X180,25X239,75		
	---	3101.304.106		WASHER	1			5,8X180,25X239,75		
	---	3101.304.107		WASHER	1			5,9X180,25X239,75		
	---	3101.304.098		WASHER	1			5X180,25X239,75		
	---	3101.304.108		WASHER	1			6X180,25X239,75		
	150	0631.100.198		SLOTTED PIN	1		Z00029670810	10X20		
	170	0501.304.956		COMPRESSION SPRING	10		Z00029670810			
	190	3101.304.090		RING	1		Z00029670810			
	200	0750.118.319		CYLINDER ROLLER BEARING	1		Z00029670810	110,0X240,0X50,0		
	210	---		SHIM RING	1			H= 0,10- 1,00		

Parts list

Page 2 from 2



ZFW 3355 /

Material number: 3101.052.029

Plant: 154.04.16-1

Material-assembly-group-no: 3101.104.015

	Pos.	Material number	Customer material	Name	Quantity	ME	Amend. no.	Techn. Info.	Rep kit	Alternative material
	---	0630.004.119		SHIM RING	1			110X140X0,1		
	---	0630.004.385		SHIM RING	1			110X140X0,15		
	---	0630.004.386		SHIM RING	1			110X140X0,2		
	---	0630.004.120		SHIM RING	1			110X140X0,3		
	---	0630.004.121		SHIM RING	1			110X140X0,5		
	---	0630.004.122		SHIM RING	1			110X140X1		
	230	0630.501.058		RETAINING RING	1		Z00029670810	110X4		
	250	0630.100.021		SUPPORTING RING	1		Z00029670810	110X140X3,5		
	260	3109.304.088		COVER	1		Z00029670810			
	270	---		HEXAGON SCREW	12		Z00007056514	M10X35		
	---	0636.015.682		HEXAGON SCREW	1		Z00007056519	M10X35		
	---	0630.100.294		WASHER	1		Z00007158112			
	300	3101.304.071		OUTPUT GEAR	1					
	350	3101.304.091		BUSH	1		Z00029670810			
	360	0634.313.679		O-RING	1		Z00029670810	135X4		
	370	---		WASHER	1			H= 2,50- 5,90		
	---	0730.062.741		RING	1			A=2,50 IN 0730 062 733(3)		
	---	0730.062.740		RING	1			A=3,00 IN 0730 062 733(3)		
	---	0730.062.739		RING	1			A=3,50 IN 0730 062 733(3)		
	---	0730.062.738		RING	1			A=4,00 IN 0730 062 733(3)		
	---	0730.062.737		RING	1			A=4,50 IN 0730 062 733(3)		
	---	0730.062.736		RING	1			A=5,00 IN 0730 062 733(3)		
	---	0730.062.735		RING	1			A=5,50 IN 0730 062 733(3)		
	---	0730.062.734		RING	1			A=5,90 IN 0730 062 733(3)		
	374	---		SHIM RING	1			H= 0,10- 0,30		
	---	0630.000.321		SHIM RING	1			140X170X0,1		
	---	0630.000.322		SHIM RING	1			140X170X0,15		
	---	0630.000.323		SHIM RING	1			140X170X0,2		
	---	0630.000.324		SHIM RING	1			140X170X0,3		
	380	3085.304.097		FLANGE	1		Z00029670810			
	390	0731.359.023		SLOTTED PLUG	1		Z00029670810	R1/4KEG		
	400	3101.304.124		WASHER	1		Z00029670810			
	410	0636.100.822		HEXAGON SCREW	4		Z00029670810	M12X40		

Plant

Page 1 from 3

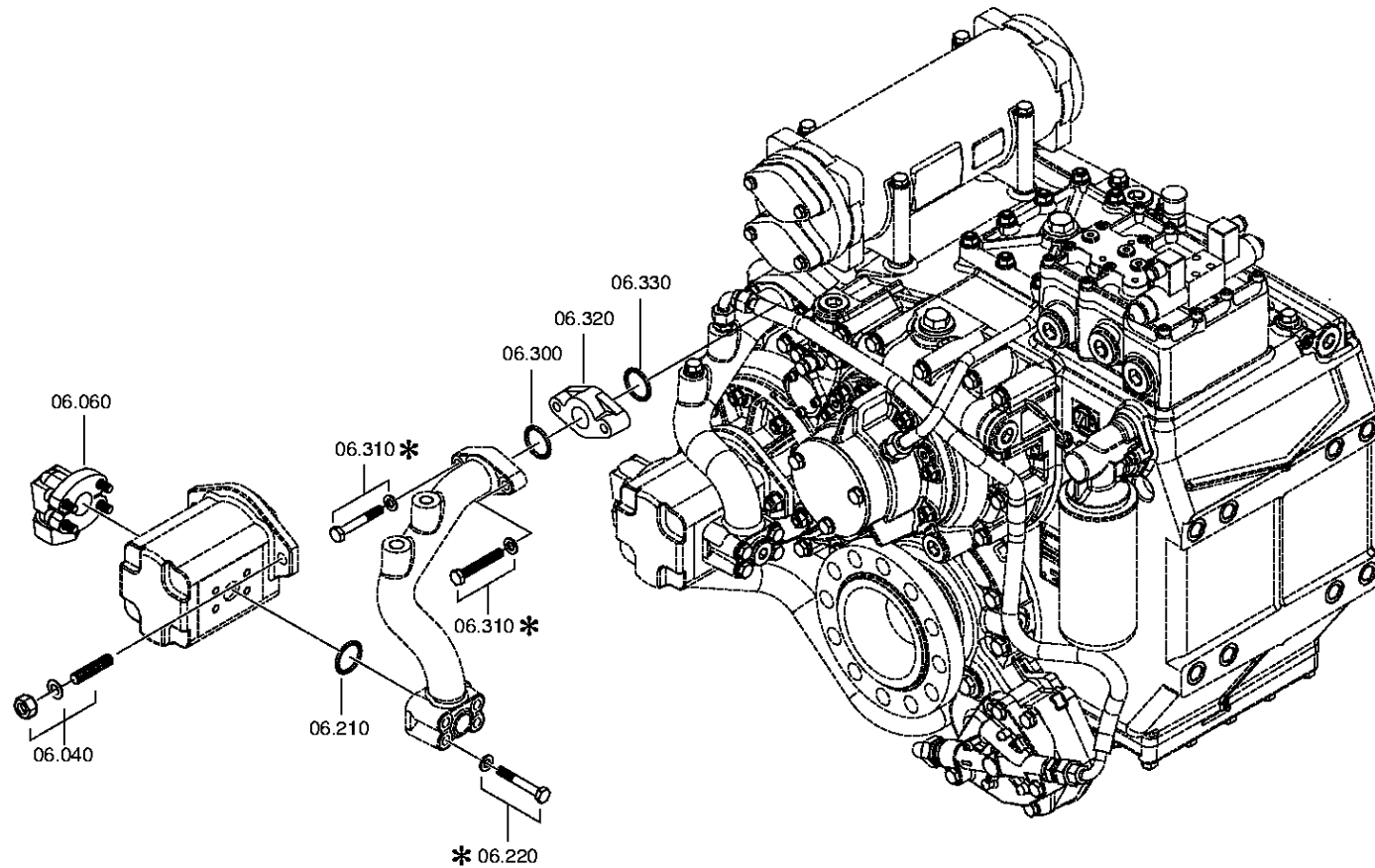
Material number: 3101.052.029

Plant: 154.06.01-1

PUMP



ZFW 3355 /
PUMP



Plant

Page 2 from 3

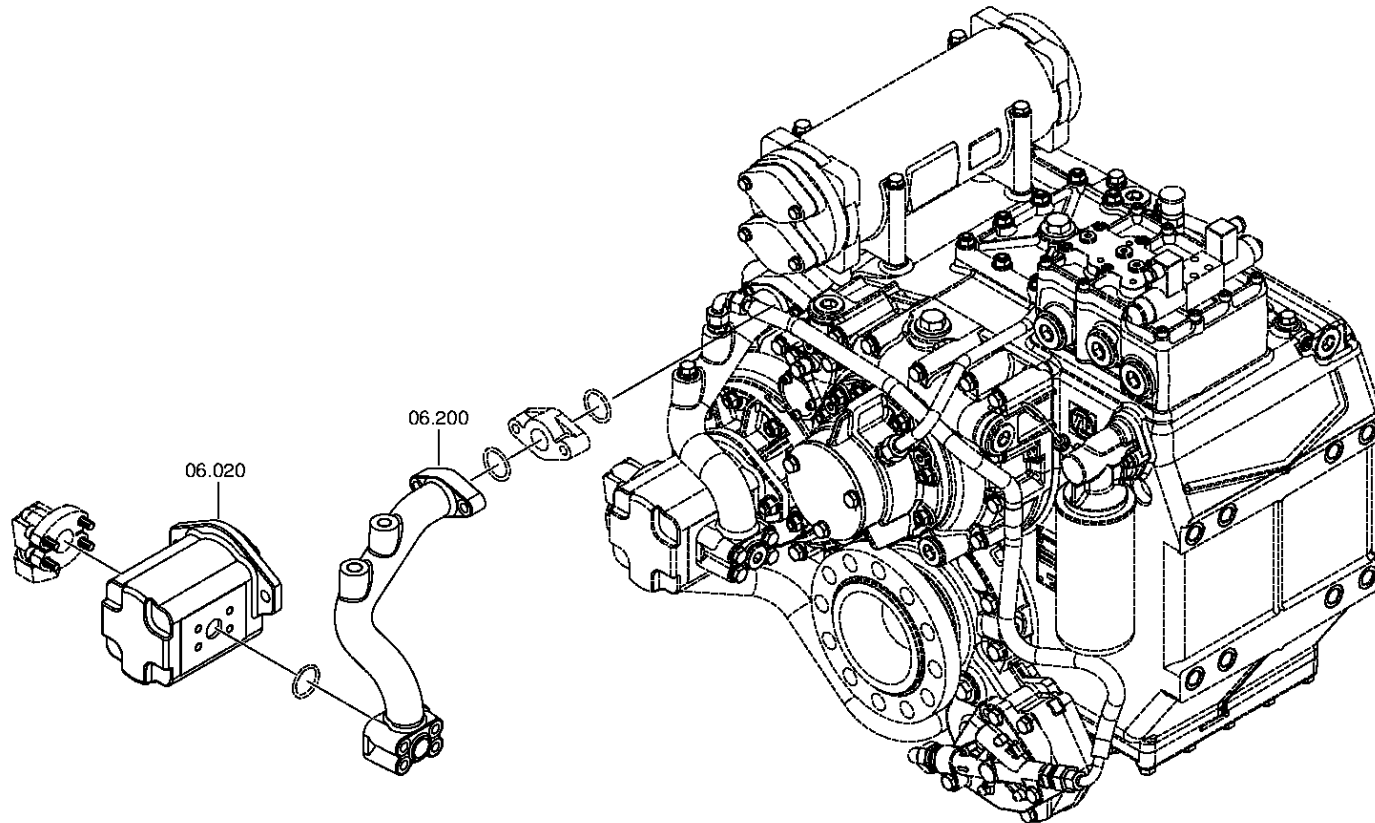
Material number: 3101.052.029

Plant: 154.06.40-1

PUMP



ZFW 3355 /
PUMP



Plant

Page 3 from 3

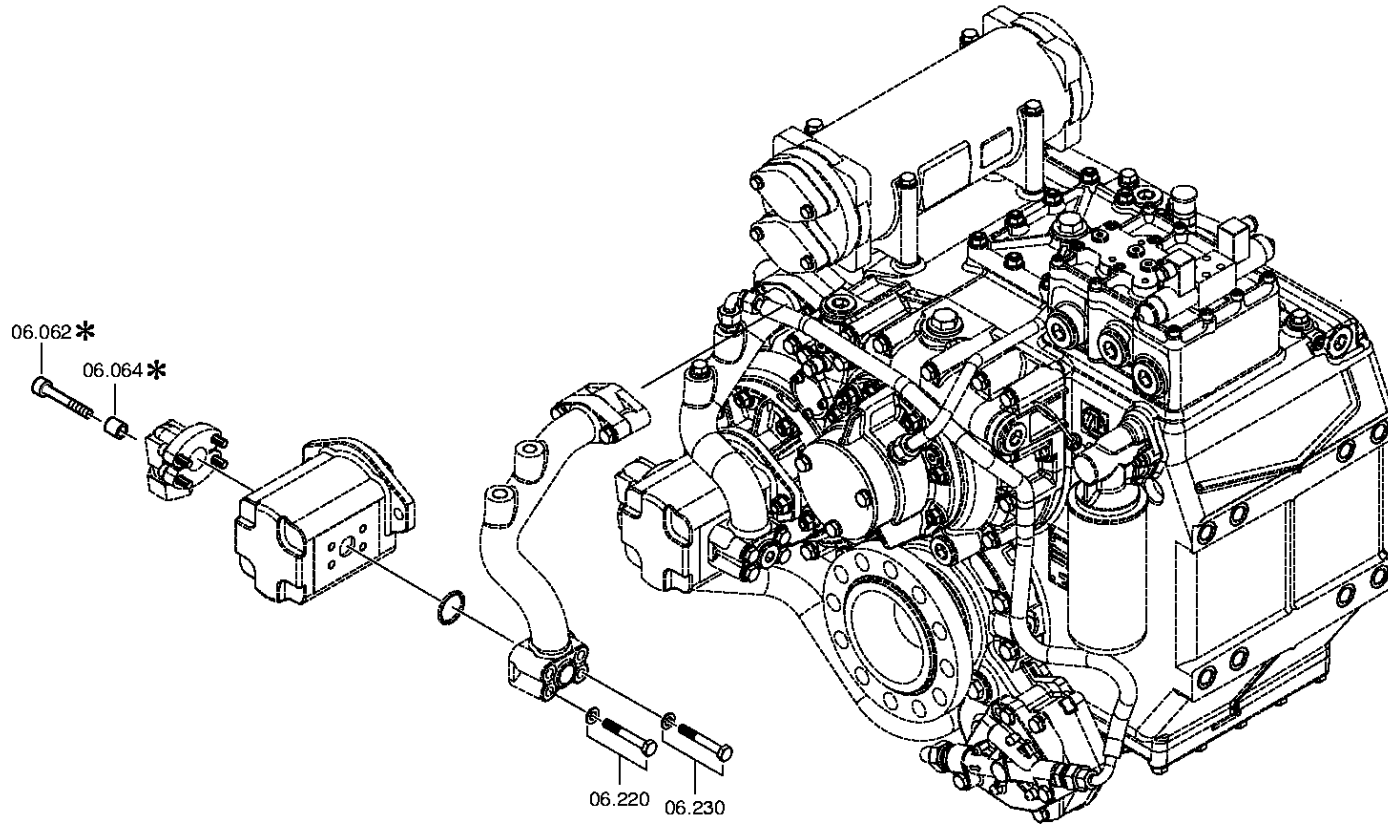
Material number: 3101.052.029

Plant: 154.06.80-1

PUMP



ZFW 3355 /
PUMP



Parts list

Page 1 from 1



ZFW 3355 /

Material number: 3101.052.029

Plant: 154.06.01-1

Material-assembly-group-no: 3101.106.002

	Pos.	Material number	Customer material	Name	Quantity	ME	Amend. no.	Techn. Info.	Rep kit	Alternative material
	20	0646.121.075		PUMP	1		C01001081E10			
	40	---		BOLT+NUT	2			M12X30		
	---	0636.102.874		STUD	1			M12X30		
	---	0630.100.284		WASHER	1		Z00007158217			
	---	0637.011.654		HEXAGON NUT	1		Z00007283112	M12		
	60	0501.330.731		THREADED ELBOW JOINT	1					
	200	3100.307.038		SOCKET	1			DRUCKSEITE		
	210	0634.313.478		O-RING	1			35X4		
	220	---		HEXAGON SCREW	3		Z00007068412	M10X70		
	---	0636.011.761		HEXAGON SCREW	1		Z00007068416	M10X70		
	---	0630.100.294		WASHER	1		Z00007158112			
	230	---		HEXAGON SCREW	1		Z00007068412	M10X70		
	---	0636.011.761		HEXAGON SCREW	1		Z00007068416	M10X70		
	---	0630.100.294		WASHER	1		Z00007158112			
	300	0634.313.478		O-RING	1			35X4		
	310	---		HEXAGON SCREW	2		Z00007068412	M10X70		
	---	0636.011.761		HEXAGON SCREW	1		Z00007068416	M10X70		
	---	0630.100.294		WASHER	1		Z00007158112			
	320	3101.307.016		INTERMEDIATE FLANGE	1					
	330	0634.313.478		O-RING	1			35X4		

Plant

Page 1 from 3

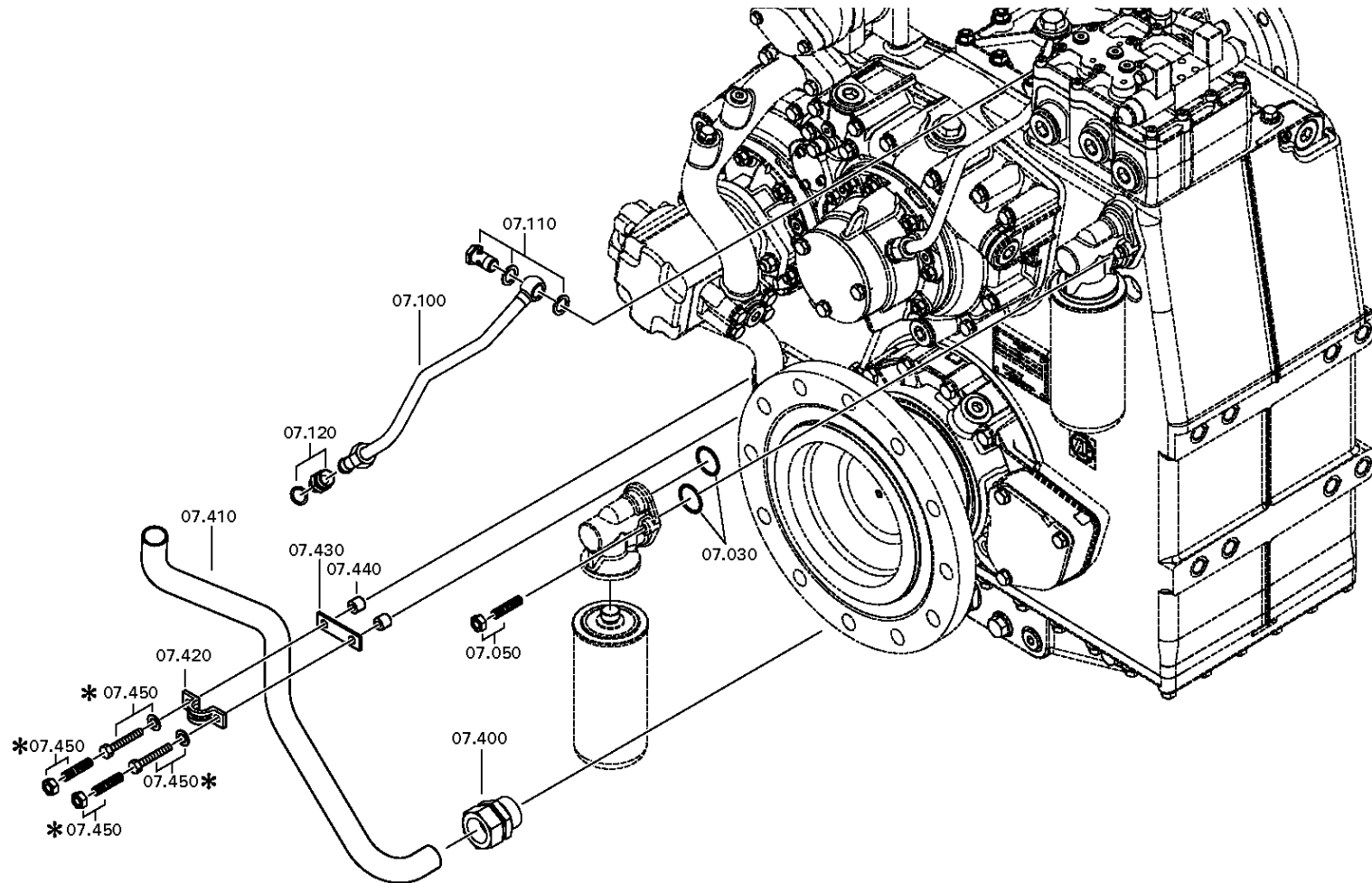
Material number: 3101.052.029

Plant: 154.07.08-1

PIPING



ZFW 3355 /
PIPING



Plant

Page 2 from 3

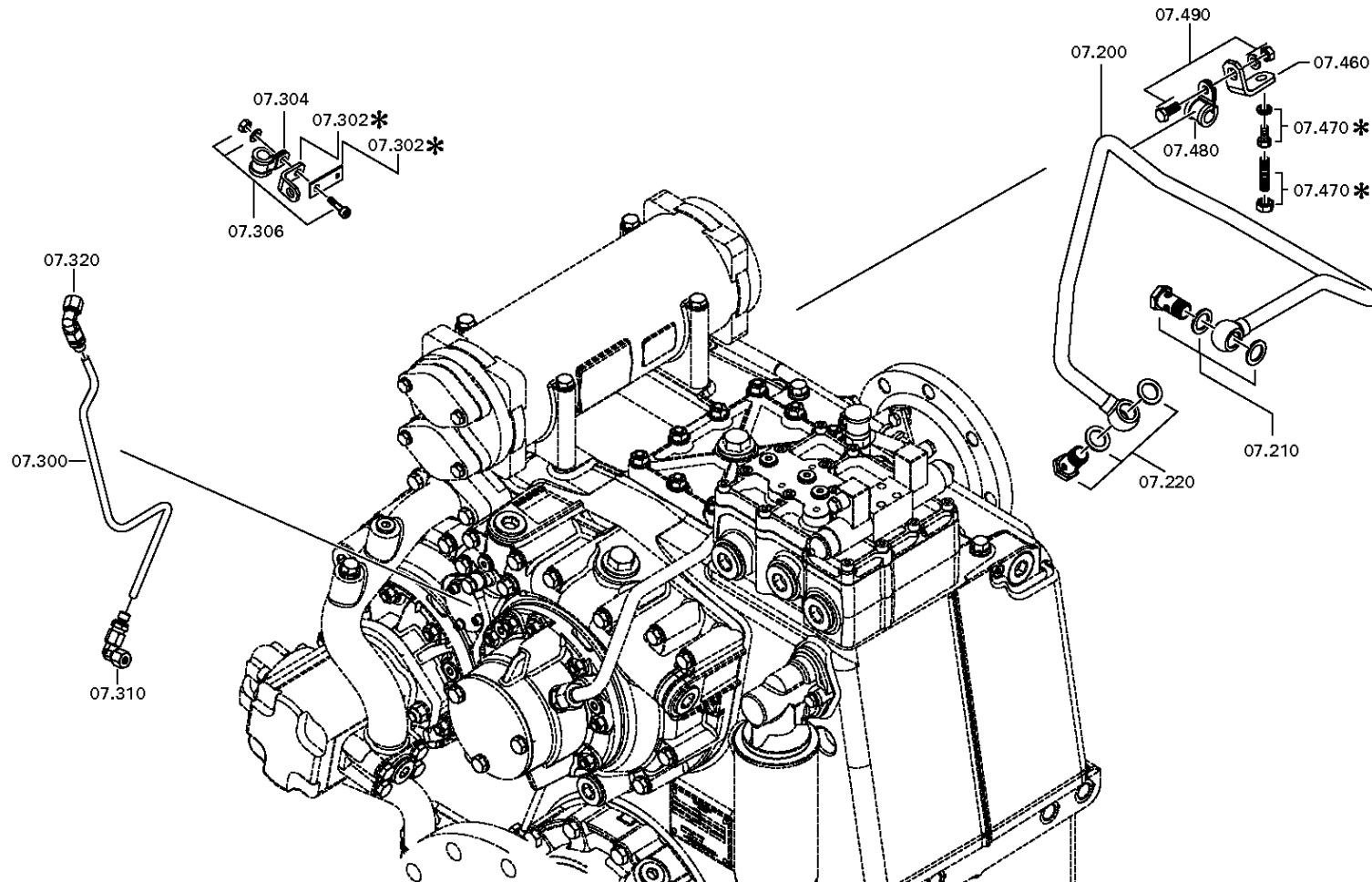
Material number: 3101.052.029

Plant: 154.07.08-2

PIPING



ZFW 3355 /
PIPING



Plant

Page 3 from 3

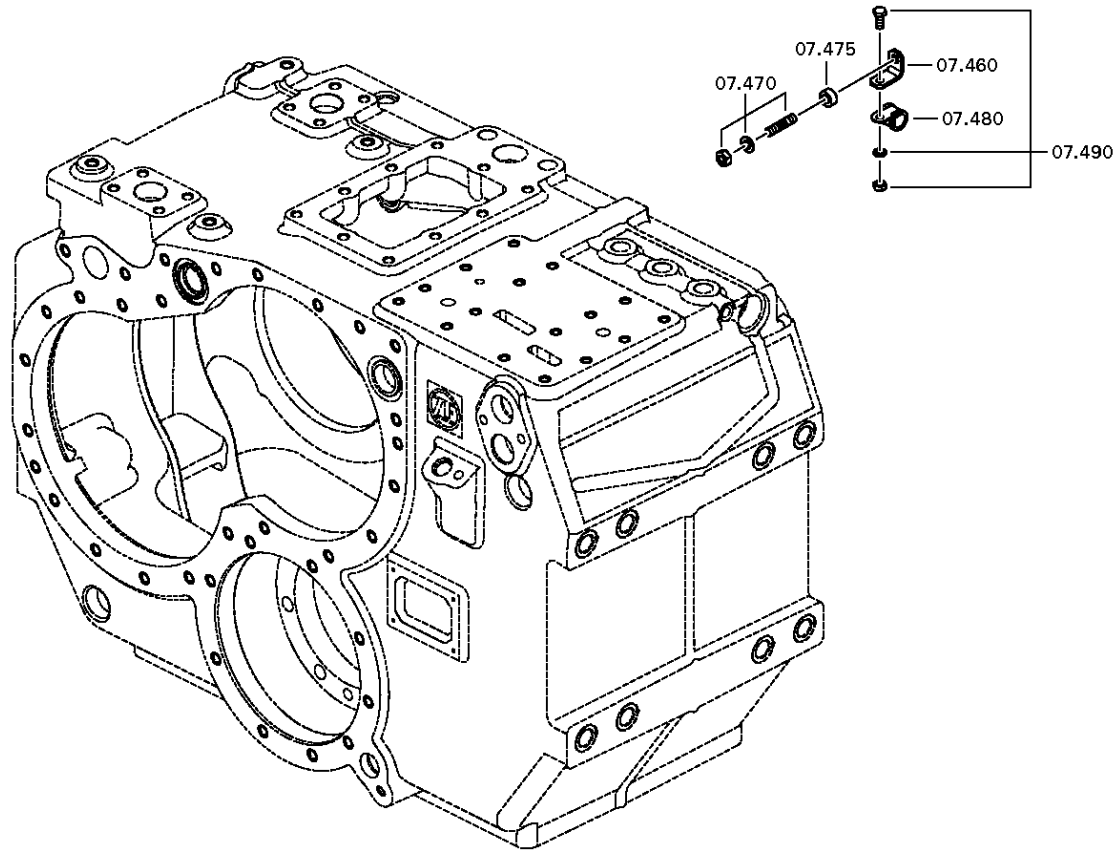
Material number: 3101.052.029

Plant: 154.07.82-1

PIPING



ZFW 3355 /
PIPING



Parts list

Page 1 from 2



ZFW 3355 /

Material number: 3101.052.029

Plant: 154.07.08-1

Material-assembly-group-no: 3101.107.032

	Pos.	Material number	Customer material	Name	Quantity	ME	Amend. no.	Techn. Info.	Rep kit	Alternative material
	100	3101.207.019		TUBE	1			GGL ZF 3350		
	110	---		UNION SCREW	1		Z00010296312			
	---	0637.100.509		UNION SCREW	1		Z00010296315			
	---	0630.050.044		SEALING WASHER	2		Z00010296315			
	120	---		SOCKET	1			A15		
	---	0637.100.866		SOCKET	1					
	---	0634.801.063		SEALING RING	1			18X24		
	200	3101.207.049		TUBE	1			ZF3350, GLL		
	210	---		UNION SCREW	1		Z00010296312			
	---	0637.100.509		UNION SCREW	1		Z00010296315			
	---	0630.050.044		SEALING WASHER	2		Z00010296315			
	220	---		UNION SCREW	1		Z00010296312			
	---	0637.100.509		UNION SCREW	1		Z00010296315			
	---	0630.050.044		SEALING WASHER	2		Z00010296315			
	300	3101.307.071		TUBE	1					
	302	3052.308.089		SHACKLE	1					
	304	0632.311.222		CLAMP	1			8X15		
	306	---		BOLT+NUT	1			M6X16		
	---	0636.100.594		CAP SCREW	1		Z00007428612	M6X16		
	---	0630.001.139		WASHER	1		Z00007164312			
	---	0637.100.261		HEXAGON NUT	1		Z00007412710	M6		
	310	0637.100.142		THREADED ELBOW JOINT	1					
	320	0637.100.142		THREADED ELBOW JOINT	1					
	400	0637.100.122		PIPE UNION	1			M42X2		
	410	3101.307.063		SUCTION LINE	1			ZF 3350		
	420	0632.311.303		CLAMP	1			35X20		
	430	3084.307.057		SHEET	1					
	440	0730.300.406		BUSH	2					
	450	---		HEXAGON SCREW	2			M8X85		
	---	0636.011.764		HEXAGON SCREW	1			M8X85		
	---	0630.100.276		WASHER	1					
	460	3082.307.216		ANGLE BRACKET	1					
	470	---		HEXAGON SCREW	1			M10X25		
	---	0636.100.406		HEXAGON SCREW	1		Z00007067510	M10X25		

Parts list

Page 2 from 2

Material number: 3101.052.029

Plant: 154.07.08-1

Material-assembly-group-no: 3101.107.032



ZFW 3355 /

	Pos.	Material number	Customer material	Name	Quantity	ME	Amend. no.	Techn. Info.	Rep kit	Alternative material
	---	0630.100.294		WASHER	1		Z00007158112			
	480	0632.900.088		CLAMP	1					
	490	---		BOLT+NUT	1			M8X20		
	---	0636.100.796		HEXAGON SCREW	1		Z00007891120	M8X20		
	---	0630.100.295		WASHER	1		Z00007158416			
	---	0637.006.280		HEXAGON NUT	1		Z00007282712	M8		

Plant

Page 1 from 2

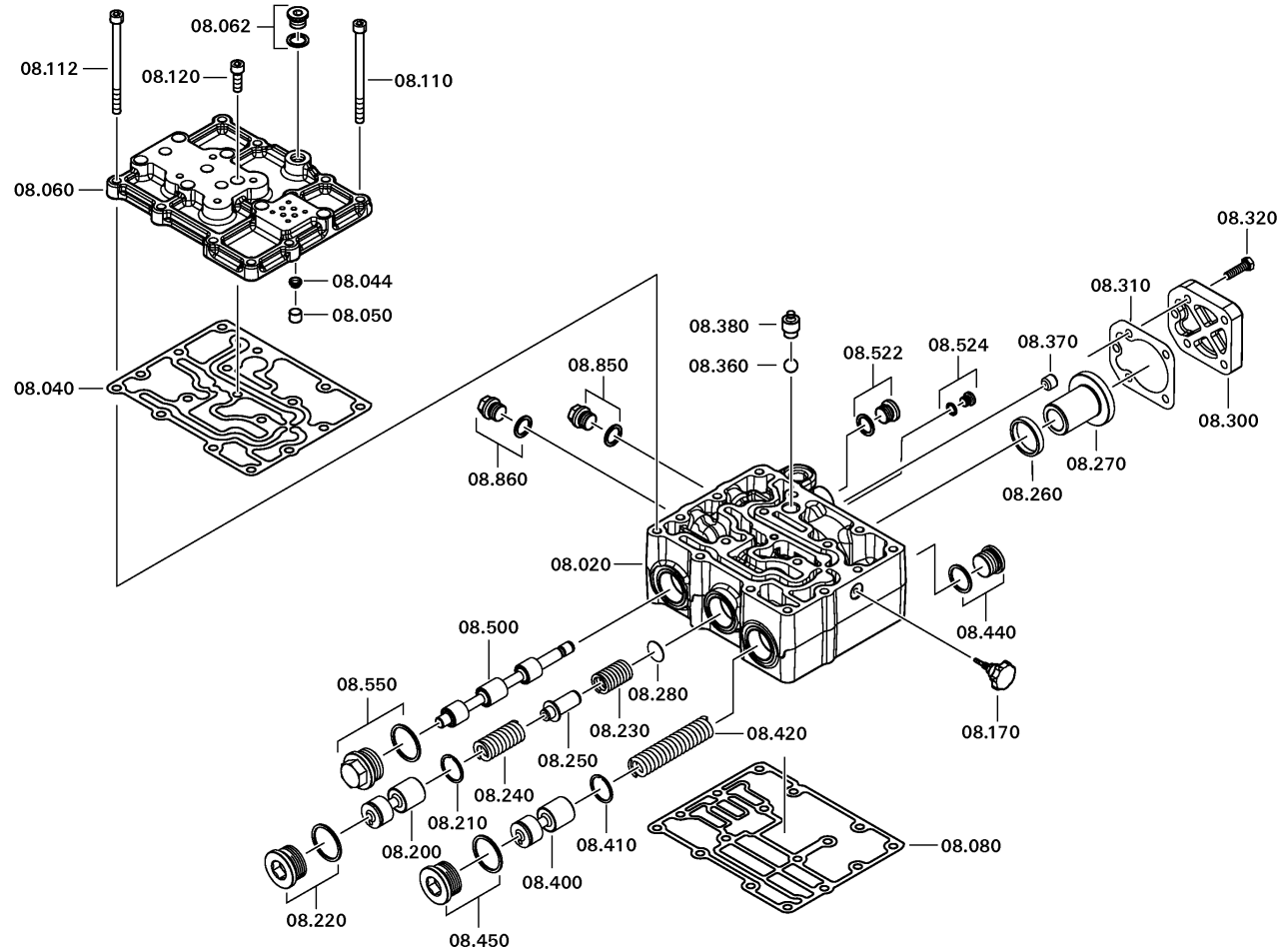
Material number: 3101.052.029

Plant: 134.008.006-1

CONTROL UNIT



ZFW 3355 /
CONTROL UNIT



Plant

Page 2 from 2

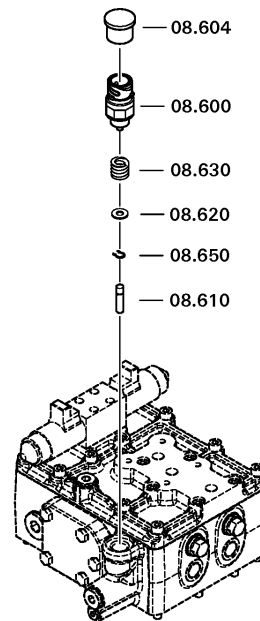
Material number: 3101.052.029

Plant: 134.008.020-1

CONTROL UNIT



ZFW 3355 /
CONTROL UNIT



Parts list

Page 1 from 2



ZFW 3355 /

Material number: 3101.052.029

Plant: 134.008.006-1

Material-assembly-group-no: 3100.108.029

	Pos.	Material number	Customer material	Name	Quantity	ME	Amend. no.	Techn. Info.	Rep kit	Alternative material
	20	3100.308.043		CONTROL HOUSING	1			HSG1-2		
	40	3100.308.044		GASKET	1			HSG 1-2*OBEN		
	44	0501.316.715		SCREEN	1					
	50	3101.308.016		BUSH	1					
	60	3100.308.050		COVER	1		Z00034694911			
	80	3100.308.045		GASKET	1			HSG 1-2*UNTEN		
	110	0636.102.261		CAP SCREW	14			M8X115		
	112	0636.102.701		CAP SCREW	2			M8X120		
	120	0636.102.823		CAP SCREW	1			M8X25		
	170	0501.217.167		STAR GRIP	1			FUER NOTBETAETIGUNG		
	200	3081.308.004		CONTROL PISTON	1					
	210	0630.513.112		SNAP RING	1					
	220	---		SCREW PLUG	1			180N.M*DICHTRING M36X1,5		
	---	0636.100.478		SCREW PLUG	1			M36X1,5		
	---	0634.801.251		SEALING RING	1			36X42		
	230	0732.042.745		COMPRESSION SPRING	1			BW191-1		
	240	0732.042.744		COMPRESSION SPRING	1			BW191-1		
	250	3101.308.035		BUSH	1					
	260	---		SPACER BUSH	1			H= 1,50-12,50		
	---	0730.062.587		SPACER BUSH	1			A=1,50 IN 0730 062 510(3)		
	---	0730.062.522		SPACER BUSH	1			A=12,50		
	---	0730.062.586		SPACER BUSH	1			A=2,00 IN 0730 062 510(3)		
	---	0730.062.585		SPACER BUSH	1			A=2,50		
	---	0730.062.584		SPACER BUSH	1			A=3,0		
	---	0730.062.583		SPACER BUSH	1			A=5,00		
	---	0730.062.511		SPACER BUSH	1			A=7,00 IN 0730 062 510(3)		
	---	0730.062.515		SPACER BUSH	1			A=9,00		
	---	0730.302.434		SPACER BUSH	1			h=2,75		
	---	0730.302.435		SPACER BUSH	1			h=3,25		
	---	0730.302.436		SPACER BUSH	1			h=4,00		
	270	3103.308.023		PISTON	1					
	280	---		WASHER	1			H= 0,20- 2,00		
	---	0730.009.294		WASHER	1		C01008558A10	A=0,20 IN 0730 003 611(3)		
	---	0730.003.612		WASHER	1			A=0,50 IN 0730 003 611(3)		

Parts list

Page 2 from 2



ZFW 3355 /

Material number: 3101.052.029

Plant: 134.008.006-1

Material-assembly-group-no: 3100.108.029

	Pos.	Material number	Customer material	Name	Quantity	ME	Amend. no.	Techn. Info.	Rep kit	Alternative material
	---	0730.003.613		WASHER	1			A=1,00 IN 0730 003 611(3)		
	---	0730.003.614		WASHER	1			A=2,00 IN 0730 003 611(3)		
	300	3081.308.002		COVER	1					
	310	3081.308.098		GASKET	1			STEUERUNG		
	320	0636.100.799		HEXAGON SCREW	5			M8X30		
	360	0635.460.025		BALL	1			14		
	370	0731.611.056		ORIFICE	1			M14X12*D=1,5		
	380	3100.308.047		PIN	1					
	400	3081.308.004		CONTROL PISTON	1					
	410	0630.513.112		SNAP RING	1					
	420	0732.042.118		COMPRESSION SPRING	1					
	440	---		SCREW PLUG	1			80N.M*DICHTRING M26X1,5		
	---	0636.100.811		SCREW PLUG	1		Z00010164420	M26X1,5		
	---	0634.801.088		SEALING RING	1		Z00010164420	26X32		
	450	---		SCREW PLUG	1			180N.M*DICHTRING M36X1,5		
	---	0636.100.478		SCREW PLUG	1			M36X1,5		
	---	0634.801.251		SEALING RING	1			36X42		
	500	3100.308.015		CONTROL PISTON	1					
	524	---		SCREW PLUG	1			25N.M*DICHTRING M10X1		
	---	0636.100.793		SCREW PLUG	1		Z00010111619	M10X1		
	---	0634.801.015		SEALING RING	1		Z00010111619	10X14		
	550	---		SCREW PLUG	1			180N.M*DICHTRING M36X1,5		
	---	3100.308.039		SCREW PLUG	1					
	---	0634.801.251		SEALING RING	1			36X42		
	600	---		SWITCH	1			OEFF*45N.M		
	---	0501.219.856		SWITCH	1			OEFFNER DIN BAJONETT		
	604	0700.300.427		PROTECTION CAP	1					
	610	3101.308.019		DETENT PIN	1					
	620	0730.004.164		WASHER	1			A=1,50		
	630	0732.040.897		COMPRESSION SPRING	1					
	650	0630.501.003		RETAINING RING	1			7X0,8		

Plant

Page 1 from 2

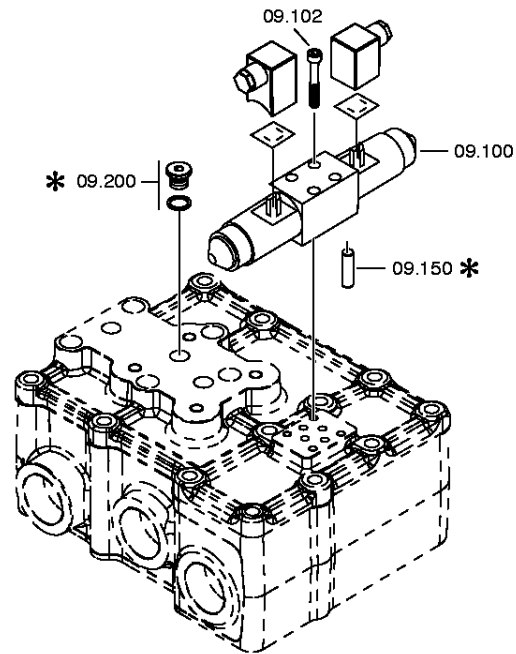
Material number: 3101.052.029

Plant: 134.09.01-1

ACTUATION



ZFW 3355 /
ACTUATION



Plant

Page 2 from 2

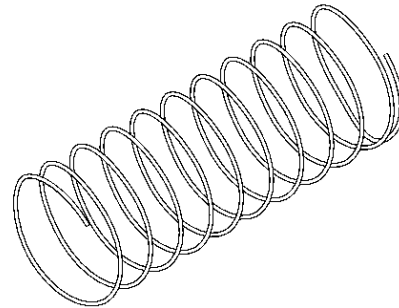
Material number: 3101.052.029

Plant: 154.09.09-1

ACTUATION



ZFW 3355 /
ACTUATION



Parts list

Page 1 from 1

Material number: 3101.052.029

Plant: 134.09.01-1

Material-assembly-group-no: 3100.109.005



ZFW 3355 /

	Pos.	Material number	Customer material	Name	Quantity	ME	Amend. no.	Techn. Info.	Rep kit	Alternative material
🛒	100	3100.209.002		VALVE	1			KPL.RPE3-043Y11/02400E4N5V* DICHRINGSATZ		
🛒	102	0636.102.700		CAP SCREW	4			M5X35		
🛒	142	0732.300.030		COMPRESSION SPRING	1			FEDERZENTRIERUNG HSG1		

Plant

Page 1 from 2

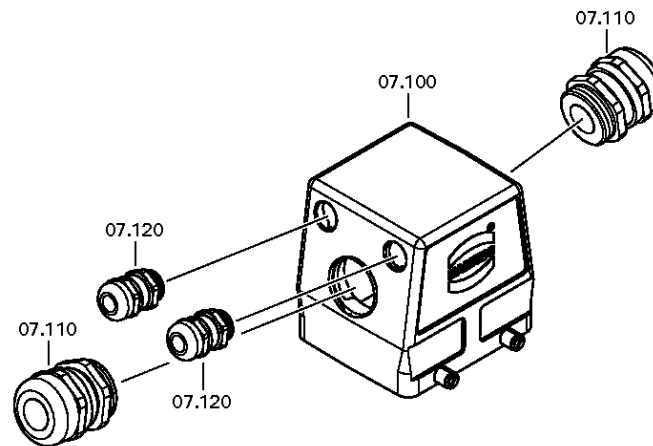
Material number: 3101.052.029

Plant: 211.10.36-1

PLUG HOUSING



ZFW 3355 /
PLUG HOUSING



Plant

Page 2 from 2

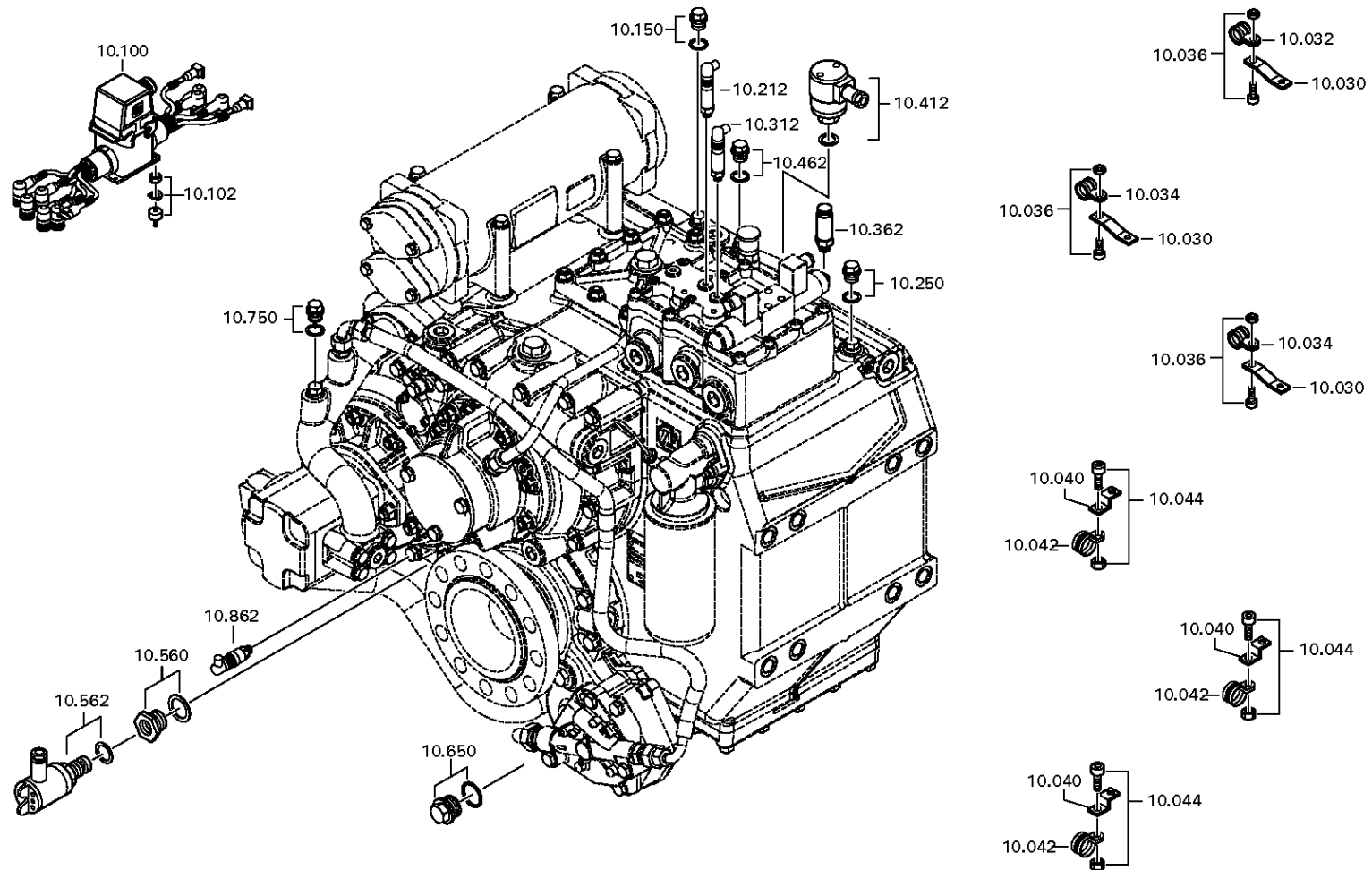
Material number: 3101.052.029

Plant: 154.10.47-1

PLUG HOUSING



ZFW 3355 /
PLUG HOUSING



Parts list

Page 1 from 1



ZFW 3355 /

Material number: 3101.052.029

Plant: 211.10.36-1

Material-assembly-group-no: 6029.207.238

	Pos.	Material number	Customer material	Name	Quantity	ME	Amend. no.	Techn. Info.	Rep kit	Alternative material
🛒	30	3084.310.050		SHACKLE	3			S-FORM 45GRAD*BOHRUNG1=M6* BOHRUNG2=9MM		
🛒	32	0632.311.162		CLAMP	1			12X15		
🛒	34	0632.311.222		CLAMP	2			8X15		
🛒	36	0636.100.594		CAP SCREW	3			M6X16		
🛒	40	3052.309.383		SHACKLE	3			S-FORM*BOHRUNG1=7MM* BOHRUNG2=13MM		
🛒	42	0632.311.222		CLAMP	3			8X15		
	44	---		BOLT+NUT	3			M6X16		
🛒	---	0636.100.594		CAP SCREW	1		Z00007428612	M6X16		
🛒	---	0630.001.139		WASHER	1		Z00007164312			
🛒	---	0637.100.261		HEXAGON NUT	1		Z00007412710	M6		
🛒	100	0501.332.983		SLEEVE HOUSING	1					
🛒	100	3101.210.101		WIRING HARNESS	1			MTU*KLASSE*AMP*UMSCHALTFILTER		
	102	---		ROUND SUPPORT	4			M5X12		
🛒	---	0634.100.091		ROUND SUPPORT	1					
🛒	---	0769.172.717		SPRING WASHER	1					
🛒	---	0637.100.260		HEXAGON NUT	1			M5		
🛒	110	0659.150.225		PIPE UNION	2					
	110	---		CAP SCREW	2			M8X120		
🛒	---	0636.102.701		CAP SCREW	1			M8X120		
🛒	---	0630.003.053		WASHER	1					
🛒	120	0659.150.230		PIPE UNION	2					
🛒	212	0501.328.128		PRESSURE SWITCH	1			13,0 BAR*STEIGEND M18X1,5		
🛒	312	0501.328.128		PRESSURE SWITCH	1			13,0 BAR*STEIGEND M18X1,5		
🛒	362	0501.328.130		PRESSURE SWITCH	1			15,5 BAR*FALLEND M18X1,5		
🛒	412	0659.064.535		PRESSURE SENSOR	1					
	562	---		TEMPERATURE SENSOR	1			PT1000*0-120GRAD CELCIUS* DANFOSS		
🛒	---	0646.120.325		TEMP.SENSOR	1					
🛒	---	0634.801.063		SEALING RING	1			18X24		
🛒	862	0659.064.534		PRESSURE SENSOR	1					

Plant

Page 1 from 1

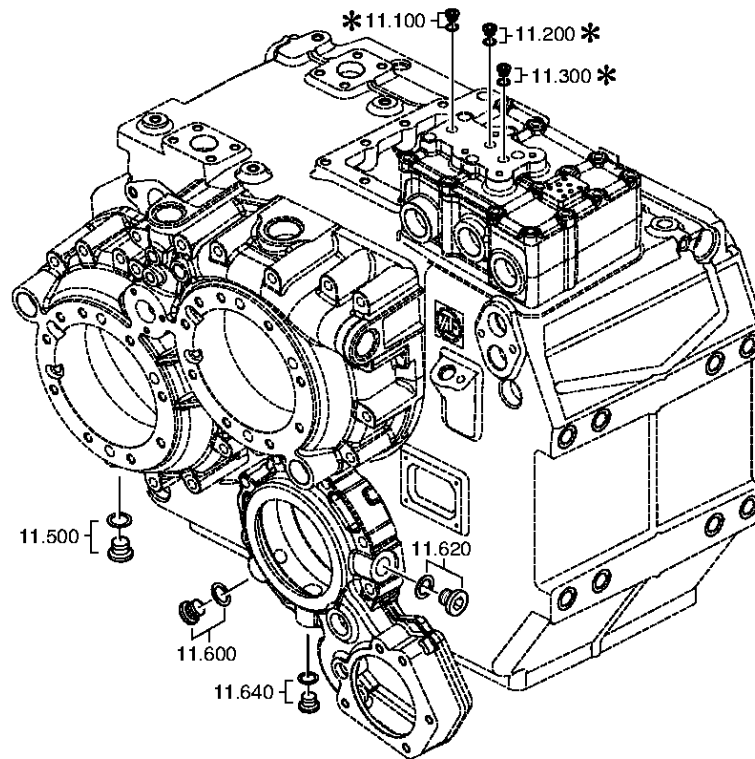
Material number: 3101.052.029

Plant: 154.11.01-1

Material-assembly-group-no: 3101.111.002



ZFW 3355 /
MONITORING



Parts list

Page 1 from 1

Material number: 3101.052.029

Plant: 154.11.01-1

Material-assembly-group-no: 3101.111.002



ZFW 3355 /

	Pos.	Material number	Customer material	Name	Quantity	ME	Amend. no.	Techn. Info.	Rep kit	Alternative material
	500	---		SCREW PLUG	1		Z00010111515	35N.M*DICHTRING M18X1,5		
	---	0636.100.791		SCREW PLUG	1		Z00010111521	M18X1,5		
	---	0634.801.063		SEALING RING	1		Z00010111521	18X24		
	620	---		SCREW PLUG	1			70N.M*DICHTRING M24X1,5		
	---	0636.302.612		SCREW PLUG	1		Z00010164212	M24X1,5		
	---	0634.801.153		SEALING RING	1			24X32		
	640	---		SCREW PLUG	1			70N.M*DICHTRING M24X1,5		
	---	0636.302.612		SCREW PLUG	1		Z00010164212	M24X1,5		
	---	0634.801.153		SEALING RING	1			24X32		

Plant

Page 1 from 2

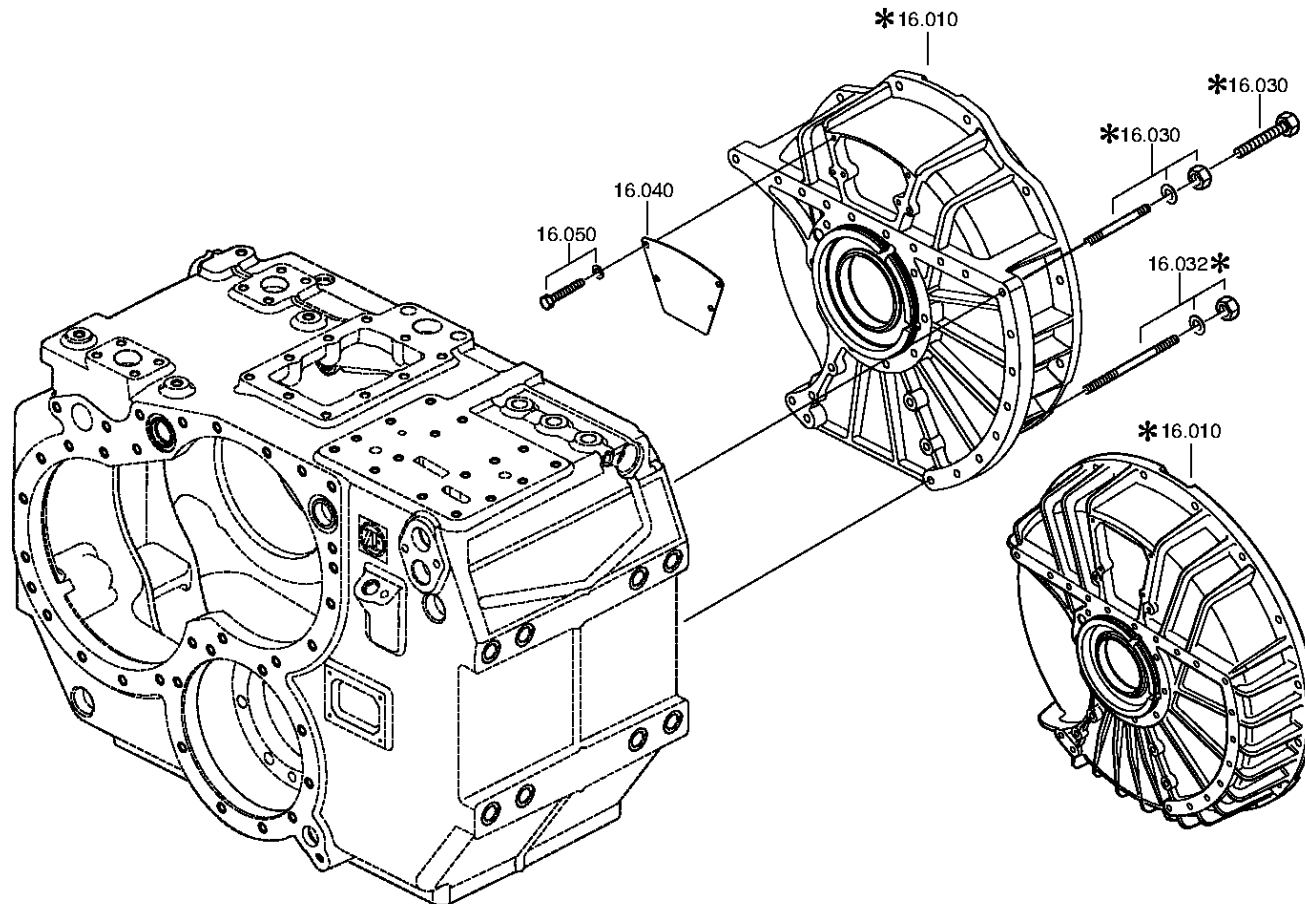
Material number: 3101.052.029

Plant: 154.16.01-1

ENGINE CONNECTION



ZFW 3355 /
ENGINE CONNECTION



Plant

Page 2 from 2

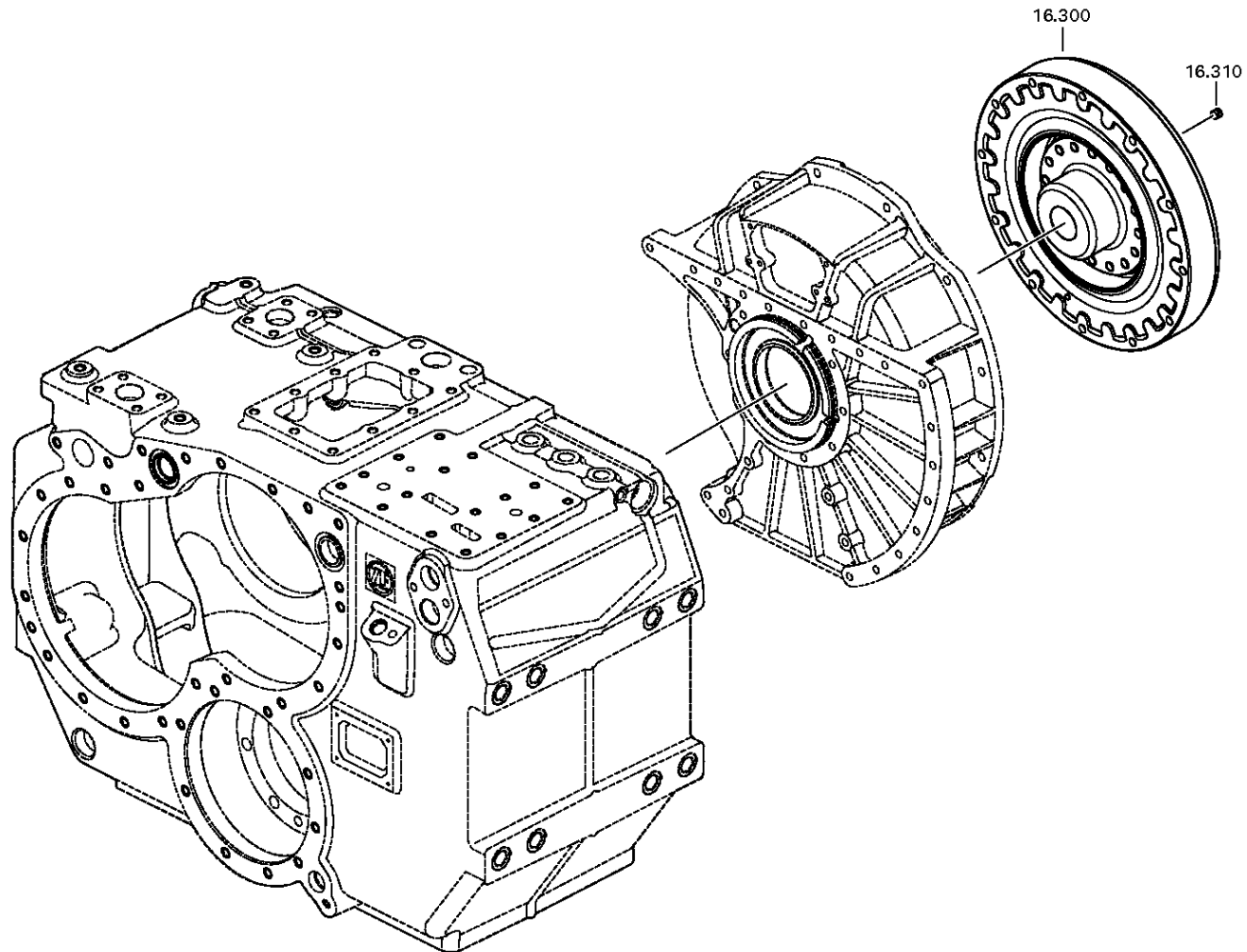
Material number: 3101.052.029

Plant: 154.16.03-1

ENGINE CONNECTION



ZFW 3355 /
ENGINE CONNECTION



Parts list

Page 1 from 1

Material number: 3101.052.029

Plant: 154.16.01-1

Material-assembly-group-no: 3101.116.013



ZFW 3355 /

	Pos.	Material number	Customer material	Name	Quantity	ME	Amend. no.	Techn. Info.	Rep kit	Alternative material
🛒	10	3101.316.005		BELL	1			SAE 0*ZF 3000 FAM*GG		
	30	0636.100.414		HEXAGON SCREW	31			M10X45		
🛒	40	3100.316.007		COVER SHEET	1			GLOCKE SAE 0		
	50	---		HEXAGON SCREW	4		C01004695F10	M8X14		
🛒	---	0636.100.788		HEXAGON SCREW	1		Z00007891613	M8X14		
🛒	---	0630.100.276		WASHER	1		Z00007290410			
🛒	300	0501.215.405		COUPLING	1			VULASTIK-L 3411S/18*ABS-TEST		
🛒	310	0731.359.023		SLOTTED PLUG	1			R1/4KEG		

Plant

Page 1 from 3

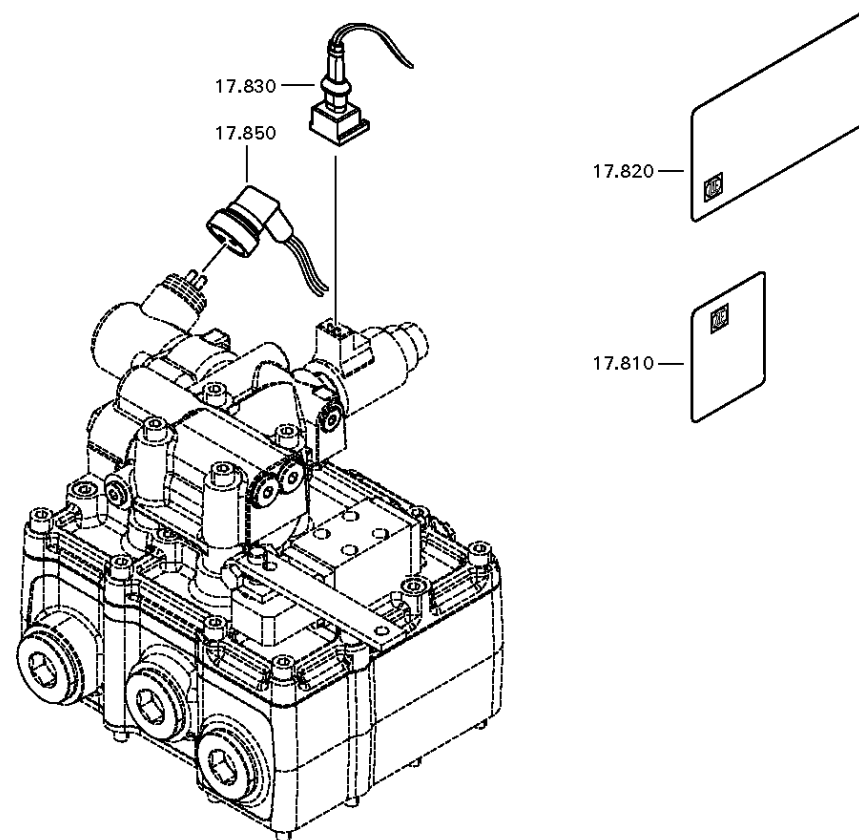
Material number: 3101.052.029

Plant: 134.17.80-1

TROLLING DEVICE



ZFW 3355 /
TROLLING DEVICE



Plant

Page 3 from 3

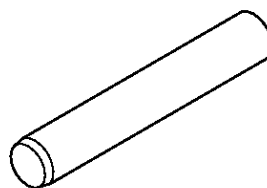
Material number: 3101.052.029

Plant: 154.17.81-1

TROLLING DEVICE



ZFW 3355 /
TROLLING DEVICE



Parts list

Page 1 from 1



ZFW 3355 /

Material number: 3101.052.029

Plant: 134.17.80-1

Material-assembly-group-no: 3100.117.801

	Pos.	Material number	Customer material	Name	Quantity	ME	Amend. no.	Techn. Info.	Rep kit	Alternative material
	10	3100.317.021		VALVE BLOCK	1					
	40	0635.460.006		BALL	1			5		
	46	0635.460.006		BALL	1			5		
	50	0501.316.956		SOLENOID VALVE	1			30BAR 24V		
	70	0501.328.507		MAGNET	1		Z00014064510	KOSTAL		
	72	0634.313.017		O-RING	1			27X3		
	80	0636.100.599		CAP SCREW	2		Z00007294610	M8X18		
	90	3091.317.002		SEALING CONE	1			TROLLING		
	140	---		SCREW PLUG	2		Z00010111914	25N.M*DICHTRING M14X1,5		
	---	0636.100.689		SCREW PLUG	1		Z00010111910	M14X1,5		
	---	0634.801.151		SEALING RING	1		Z00010111910	14X20		
	150	---		SCREW PLUG	5		Z00010111614	25N.M*DICHTRING M10X1		
	---	0636.100.793		SCREW PLUG	1		Z00010111619	M10X1		
	---	0634.801.015		SEALING RING	1		Z00010111619	10X14		
	152	0631.315.522		CYLINDRICAL PIN	1			10X45		
	280	---		SCREW PLUG	1			60N.M*DICHTRING M22X1,5		
	---	0636.100.302		SCREW PLUG	1		Z00010167312	M22X1,5		
	---	0634.801.074		SEALING RING	1			22X27		
	300	3090.317.004		CONTROL PISTON	1					
	310	0732.042.475		COMPRESSION SPRING	1					
	360	0636.115.288		CAP SCREW	4		Z00007400210	M8X70		
	370	3100.317.005		GASKET	1		C01008170C10	TROLLING		
	380	3106.308.020		ORIFICE	1			M8x8*D=0,80		
	382	0501.316.715		SCREEN	1					
	384	3101.308.016		BUSH	1					
	810	3081.308.087		PLATE	1			ENTHALT.IN 3082 308 157(2)		
	820	3082.308.158		PLATE	1					
	830	6029.201.990		PLUG	1			2POL BU JPT TYP C GUMMITÜLLE 180°		
	850	6029.201.103		PLUG	1			002POL BU RUND M27		

Plant

Page 1 from 1

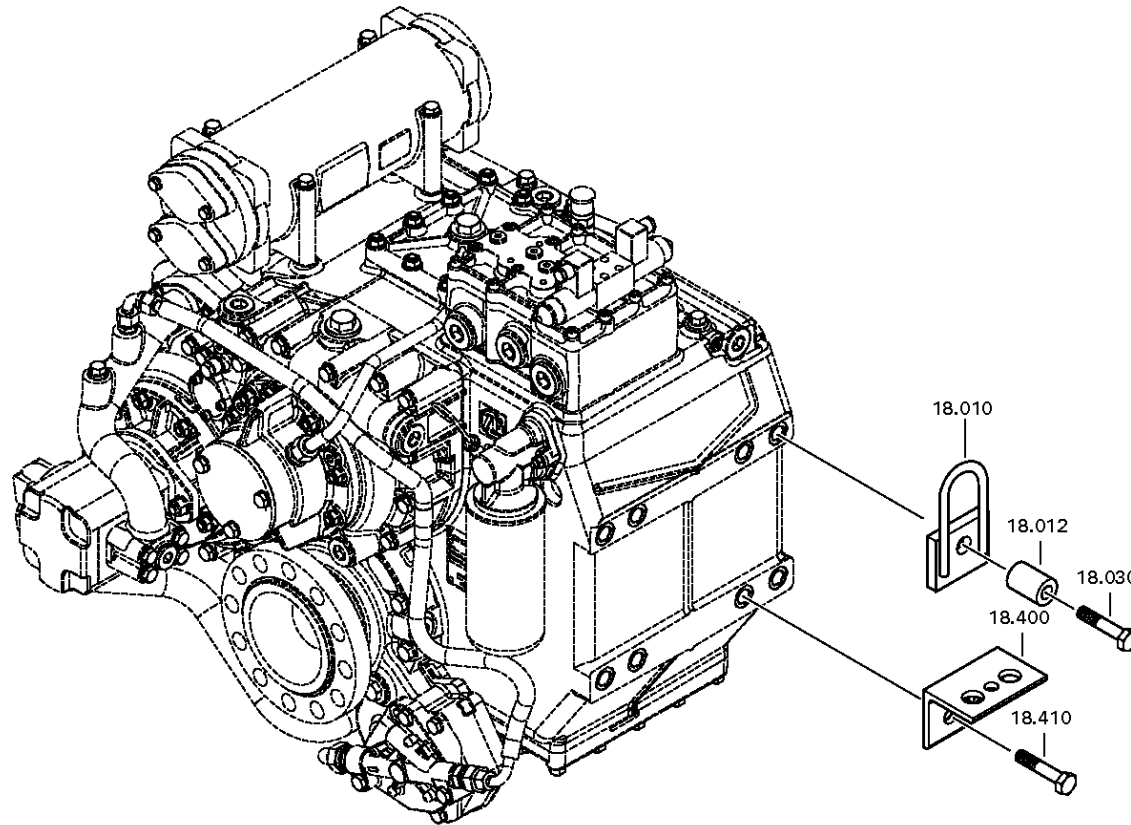
Material number: 3101.052.029

Plant: 154.18.10-1

Material-assembly-group-no: 3101.118.010



ZFW 3355 /
SUSPENSION



Parts list

Page 1 from 1

Material number: 3101.052.029

Plant: 154.18.10-1

Material-assembly-group-no: 3101.118.010



ZFW 3355 /

	Pos.	Material number	Customer material	Name	Quantity	ME	Amend. no.	Techn. Info.	Rep kit	Alternative material
🛒	10	0700.200.005		EYE	4					
🛒	12	0730.062.573		BUSH	4			A=57,00		
🛒	30	0636.103.894		HEXAGON SCREW	4			M20X90		
🛒	400	3100.316.015		ANGLE BRACKET	4			ZF 2000 / ZF 3000		
	410	---		HEXAGON SCREW	8			M20X40		
🛒	---	0636.102.751		HEXAGON SCREW	1			M20X40		
🛒	---	0630.100.301		WASHER	1		Z00008436010			

Plant

Page 1 from 2

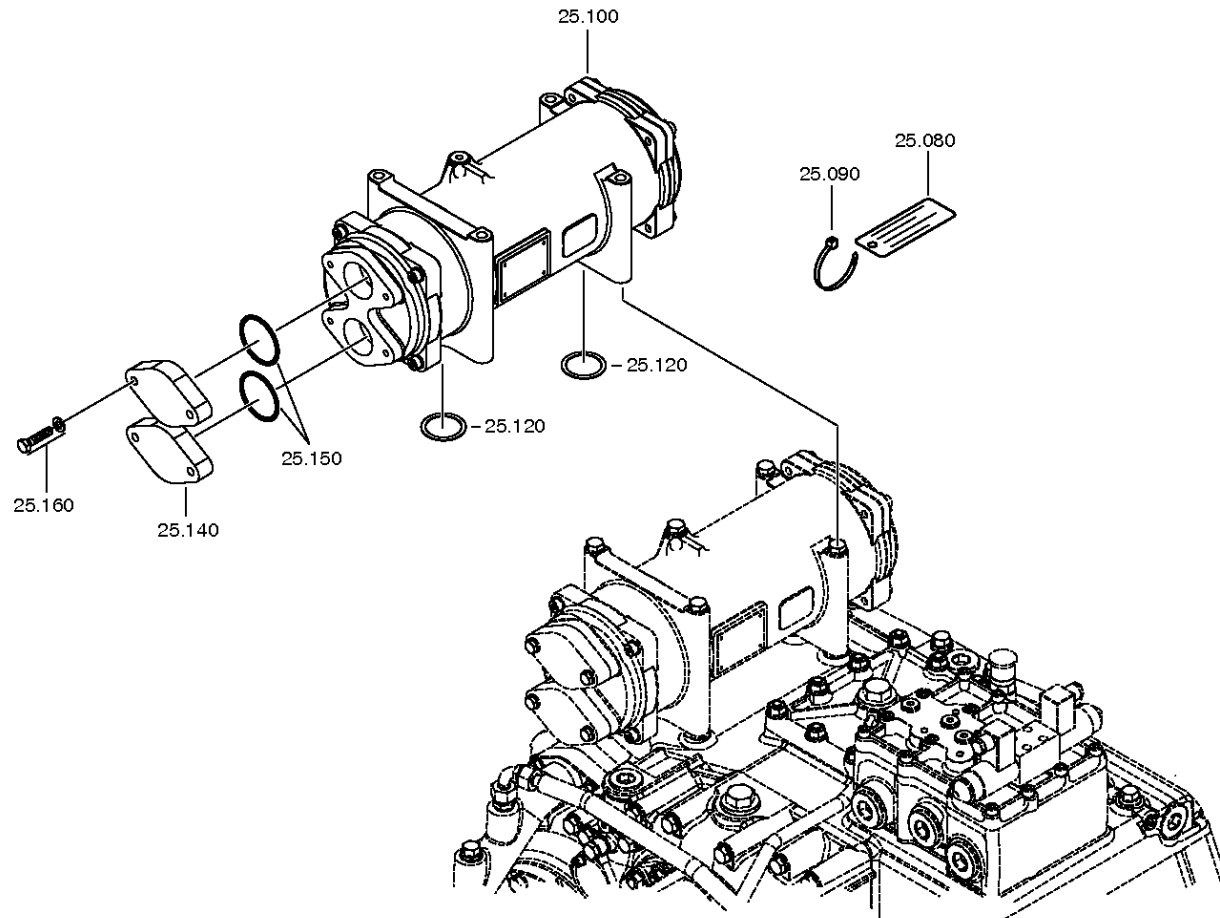
Material number: 3101.052.029

Plant: 154.25.04-1

OIL COOLER



ZFW 3355 /
OIL COOLER



Plant

Page 2 from 2

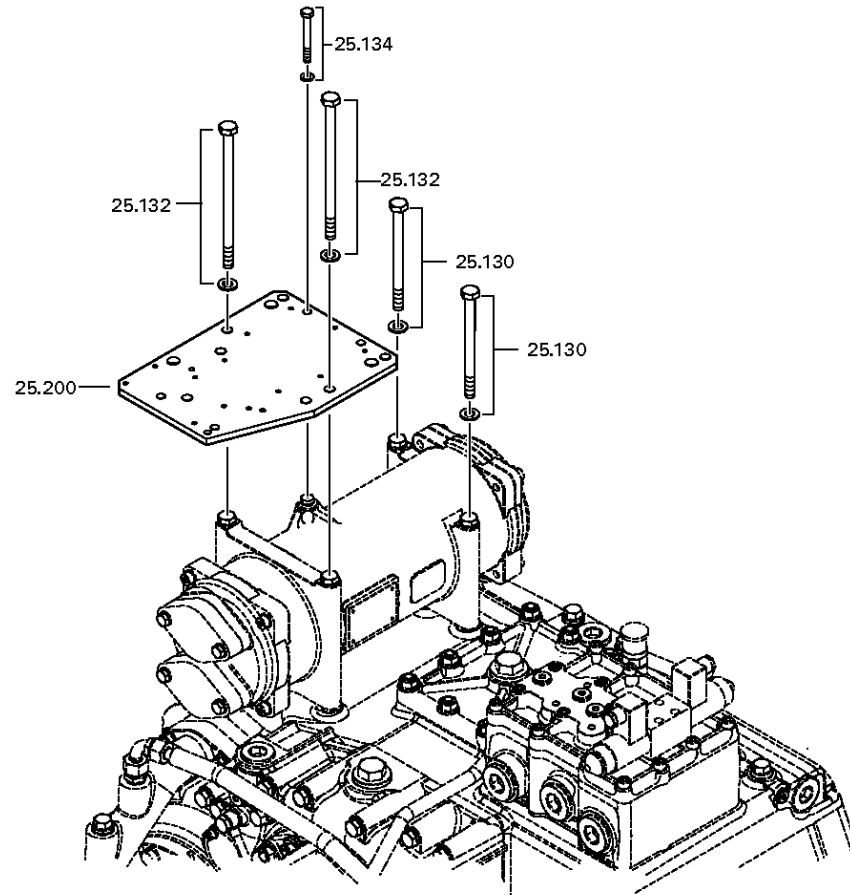
Material number: 3101.052.029

Plant: 154.25.83-1

OIL COOLER



ZFW 3355 /
OIL COOLER



Parts list

Page 1 from 1



ZFW 3355 /

Material number: 3101.052.029

Plant: 154.25.04-1

Material-assembly-group-no: 3101.125.053

	Pos.	Material number	Customer material	Name	Quantity	ME	Amend. no.	Techn. Info.	Rep kit	Alternative material
	80	3085.225.001		PLATE	1			KUEHLWASSERDURCHFLUSSMENGE & INFO MASSEBAND		
	/10	3085.325.003		PLATE	1			INFO: MASSEBAND / KUEHLWASSERDURCHFLUSSMENGE		
	/30	0659.160.041		CABLE CLIP	1			4,6X150		
	100	0501.218.212		HEAT EXCHANGER	1			ABS-TEST L=330		
	/11	0634.313.996		O-RING	4			120X4		
	/3	0501.332.923		COVER	1			KUEHLERDECKEL HINTEN		
	/900	0501.326.932		PLUG	1			FUER ROHRINNENDURCHMESSER 6,5MM		
	/901	0501.331.826		WEB	1					
	/902	0734.300.797		FLAT GASKET	1			FUER ALLE HS-KUEHLER 13X1550X3		
	120	0634.316.249		O-RING	2			40X4		
	130	---		HEXAGON SCREW	2		Z00007361110	M10X150		
	---	0636.100.362		HEXAGON SCREW	1		Z00007361114	M10X150		
	---	0630.100.294		WASHER	1		Z00007158112			
	132	---		HEXAGON SCREW	2			M10X190		
	---	0636.100.718		HEXAGON SCREW	1		Z00008474310	M10X190		
	---	0630.100.294		WASHER	1		Z00007158114			
	134	---		HEXAGON SCREW	1			M8X22		
	---	0636.016.412		HEXAGON SCREW	1			M8X22		
	---	0630.100.276		WASHER	1		Z00007290410			
	140	0501.322.049		FLANGE	2			OHNE GEWINDE		
	150	0634.313.136		O-RING	2			50X3		
	160	---		HEXAGON SCREW	4			M8X35		
	---	0636.100.628		HEXAGON SCREW	1			M8X35		
	---	0630.100.276		WASHER	1		Z00007290410			
	200	3085.310.122		CONSOLE	1					

Plant

Page 1 from 1

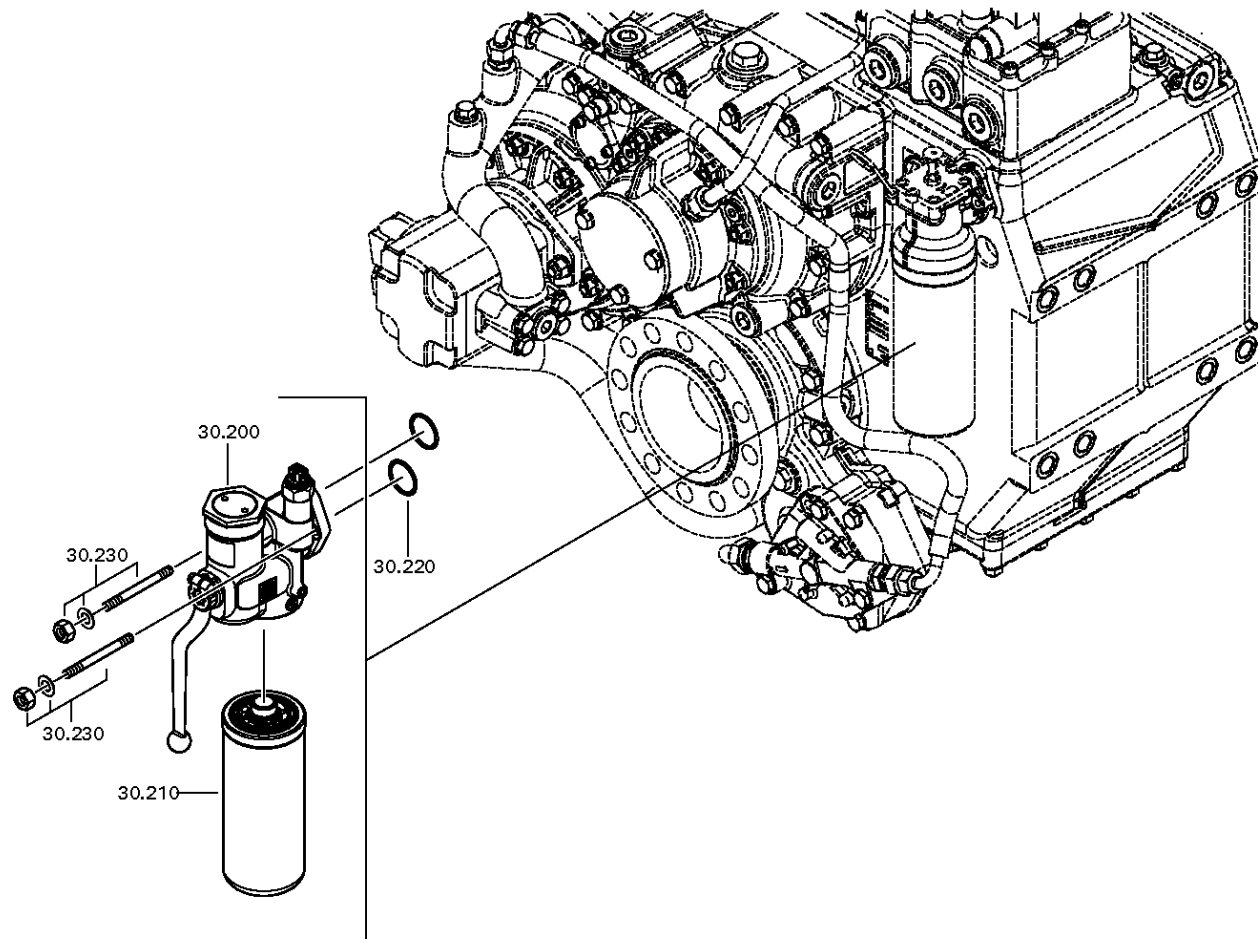
Material number: 3101.052.029

Plant: 154.30.04-1

Material-assembly-group-no: 3101.130.006



ZFW 3355 /
FILTER



Parts list

Page 1 from 1

Material number: 3101.052.029

Plant: 154.30.04-1

Material-assembly-group-no: 3101.130.006



ZFW 3355 /

	Pos.	Material number	Customer material	Name	Quantity	ME	Amend. no.	Techn. Info.	Rep kit	Alternative material
🛒	200	0501.218.852		FILTER HEAD	1			UMSCHALTFILTER OHNE VERSCHMUTZUNGSANZEIGE		
🛒	210	0501.219.824		FILTER	1			UMSCHALTFILTER*ZF2000/3000/ 5000/9000/24000		
🛒	220	0634.313.061		O-RING	2			34,2X3		
	230	---		BOLT+NUT	2			M8X25		
🛒	---	0636.102.809		STUD	1			M8X25		
🛒	---	0630.100.276		WASHER	1					
🛒	---	0637.006.280		HEXAGON NUT	1			M8		

Plant

Page 1 from 1

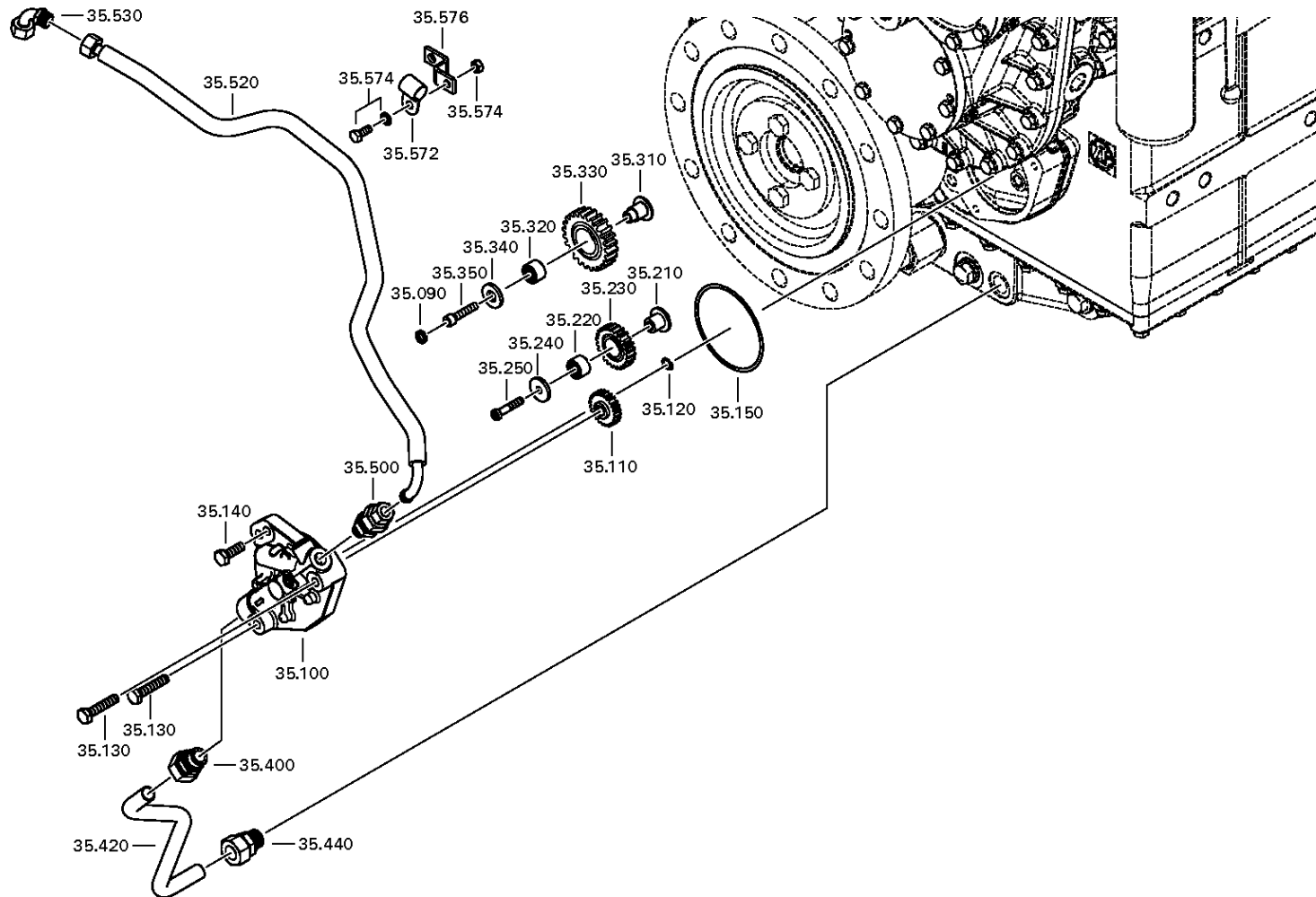
Material number: 3101.052.029

Plant: 154.35.08-1

Material-assembly-group-no: 3101.135.006



ZFW 3355 /
TRAILING PUMP



Parts list

Page 1 from 1



ZFW 3355 /

Material number: 3101.052.029

Plant: 154.35.08-1

Material-assembly-group-no: 3101.135.006

	Pos.	Material number	Customer material	Name	Quantity	ME	Amend. no.	Techn. Info.	Rep kit	Alternative material
	90	0630.361.028		SEALING CAP	1					
	100	0501.221.060		OIL PUMP	1			SCHLEPPFAHRTPUMPE		
	110	3081.306.078		DRIVE PINION	1			ENTHALT.IN 3081 306 077(1)		
	120	0630.501.008		RETAINING RING	1			12X1		
	130	0636.100.416		HEXAGON SCREW	2		Z00008808810	M10X50		
	140	0636.100.787		HEXAGON SCREW	1		Z00007891512	M10X30		
	150	0634.313.378		O-RING	1			105X3		
	210	3100.304.030		PIN	1					
	220	0750.115.518		NEEDLE SLEEVE	1			18,0X24,0X16,0		
	230	3081.306.082		IDLER GEAR	1			Z25 IN 3081 306 081(3)		
	240	0730.105.024		THRUST WASHER	1			4X9X30,5		
	250	0636.103.766		CAP SCREW	1			M8X40		
	310	3100.304.170		BUSH	1					
	320	0750.115.518		NEEDLE SLEEVE	1			18,0X24,0X16,0		
	330	3101.335.001		IDLER GEAR	1			Z38		
	340	0730.105.217		THRUST WASHER	1			4X14,1X30,5		
	350	0636.115.291		CAP SCREW	1		Z00007419110	M8X40		
	400	0637.101.240		PIPE UNION	1					
	420	3101.307.028		SUCTION LINE	1			SEK-PUMPE ZF3350		
	440	0637.101.240		PIPE UNION	1					
	500	0637.100.314		CHECK VALVE	1					
	520	0632.100.324		HOSE PIPE	1					
	530	0637.100.723		SCREW-IN SLEEVE	1					
	572	0632.100.372		CLAMP	2			16X20		
	574	---		BOLT+NUT	2			M8X20		
	---	0636.100.796		HEXAGON SCREW	1			M8X20		
	---	0630.100.276		WASHER	1					
	---	0637.006.280		HEXAGON NUT	1			M8		
	576	3082.307.176		SHACKLE	2			ENTHALT.IN 3082 307 226(3)		